

**MANDATORY DISCLOSURE
(as on 19.03.2020)**

AICTE File No: Southern/1-4266359442/2019/EOA
Date & Period of last approval: **29 April 2019 - 2019-20**

1	Name of the Institution	KUMARAGURU COLLEGE OF TECHNOLOGY
	Address of the Institution	Chinnavedampatti [post]
	City & Pin Code	Coimbatore – 641 049.
	State / UT	Tamilnadu
	Longitude & Latitude	11°04'40.45" N 76°59'20.55" E
	Phone Number with STD Code	0422-2661100
	Mobile Number	94877 00830
	Fax Number with STD Code	0422-2669406
	Office hours at the Institution	8.30 a.m. to 5.00 p.m.
	Academic hours at the Institution	8.30 a.m. to 4.30 p.m.
	E-Mail	principal@kct.ac.in
	Website	www.kct.ac.in
	Nearest Railway Station (Distance in KM)	Coimbatore (12 kms)
	Nearest Airport (distance in KM)	Coimbatore (12 kms)
	Type of Institution	Private – Self Financing
	Category (1) of the Institution	Non-Minority
	Category (2) of the Institution	Co-Education
2	Name and address of the Trust	Ramanandha Adigalar Foundation
	Type of the organization	Trust
	Address of the organization	Chinnavedampatti [post], Coimbatore -641049.
	Phone Number with STD Code	0422-2661137, 2661345
	Mobile Number	99524 01003
	E.Mail	eo@kct.ac.in

3	Name of the Vice Chancellor / Principal / Director	Dr.J.Srinivasan M.Tech., Ph.D.
	Exact Designation	Principal
	Address of the Principal	401, Mahaveer Apartment, Poompohar Nagar 11 th Street, Thudiyalur, Coimbatore 641 034.
	Mobile Number	94877 00830
	E-Mail	principal@kct.ac.in
4	Name of the affiliating University	Anna University
	Address	Guindy, Chennai – 600 025
	Website	www.annauniv.edu
	Latest affiliation period	2019-20

5 Governance

5.1 - Governing Council

1	Chairman	Dr.B.K.Krishnaraj Vanavarayar, B.Com., B.L., BharatiyaVidyaBhavan 582, DB Road, RS Puram Coimbatore – 641 002.
2	Management Member 1	Dr. M. Manickam, M.Sc., M.B.A., Executive Chairman & Managing Director, M/s Sakthi Sugars Limited, 180, Race Course Road, Coimbatore - 641 018.
3	Management Member 2	Thiru.M. Balasubramaniam, M.Com, M.B.A, Correspondent, Kumaraguru College of Technology, No.27. Rukmani Nagar, Ramanathapuram,Coimbatore -641 045.
4	Management Member 3	Thiru. M. Srinivaasan, B.E., M.B.A., Managing Director, Sri Chamundeeswari Sugars Ltd., 76, Ulsoor Road, Bangalore - 560 042.
5	Management Member 4	Thiru.Shankar Vanavarayar, M.B.A., Joint Correspondent, Kumaraguru College of Technology, Coimbatore – 641 049.
6.	UGC Nominee	Prof.B.R.Chahar Department of Civil Engineering, Indian Institute of Technology, New Delhi – 110 016.
7.	AICTE Nominee	The Regional Officer, Southern Regional Office, All India Council for Technical Education, 26, Haddows Road, Nungambakkam, Chennai–600006
8	University Nominee	Prof. A.Rajadurai, Ph.D., Professor, Department of Production Engg., Madras Institute Technology, Chromepet, Chennai 600 044.

9	State Government Nominee – Director of Technical Education (Ex-Officio)	Dr,P.Thamarai Ph.D Principal, Govt.College of Tech, Thadagam Road, Coimbatore-641013.
10	Principal of the Concerned institution	Dr.J.Srinivasan, Ph.D. Principal, Kumaraguru College of Technology Coimbatore – 641 049
11	Special Invitee	Thiru.G Muniasamy, B Tech, MBA, Executive Officer, Kumaraguru College of Technology, Coimbatore – 641 049.
Frequency of meetings & date of last meeting		Once in a year Dates of Last 2 meetings on 2.7.2018, 20.7.2019

5.2- Academic Council: MEMBERS OF THE ACADEMIC COUNCIL (As on 1.7.2019)

Special Invitee

Shri. Shankar Vanavarayar	Joint Correspondent
---------------------------	---------------------

Members

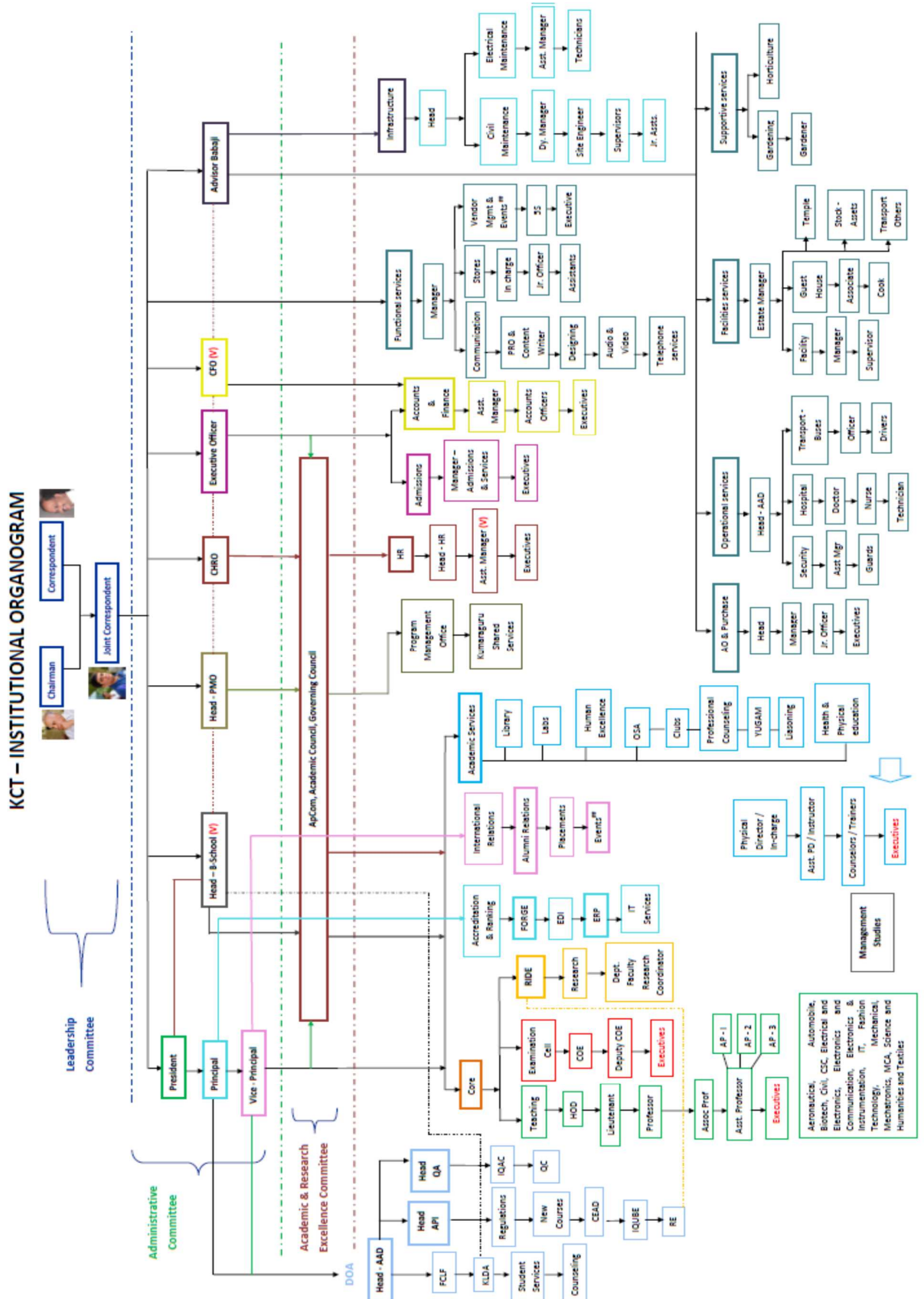
01	Dr. J. Srinivasan	Chairman, Academic Council & Principal
02	Dr. K. Sundararaj	Prof & HOD / Aeronautical Engineering
03	Dr. S. John Alexis	Prof & HOD / Automobile Engineering
04	Dr. N. Saraswathy	Prof & HOD / Bio-Technology
05	Dr. N. Ramsundram	HOD(i/c) / Civil Engineering
06	Dr. J. Cynthia	HOD(i/c) / Computer Science & Engineering
07	Dr. K. Malarvizhi	Prof & HOD / Electrical & Electronics Engineering
08	Dr.S.A.Pasupathy	Prof & HOD / Electronics & Communication Engineering
09	Dr.M.Ezhilarasi	Prof & HOD / Electronics & Instrumentation Engineering
10	Dr. V. R. Nedunchezian	Professor and Head, School of Management Studies
11	Dr. M. Manikantan	HOD(i/c) / MCA
12	Dr. C. Velmurugan	Prof & HOD / Mechanical Engineering
13	Dr. R.Venkatesan	Prof & HOD / Mechatronics Engineering
14	Dr. G. Ramakrishnan	HOD(i/c) / Fashion Technology
15	Dr. V. Vanitha	HOD(i/c) / Information Technology
16	Dr.P.Devaki	Prof & HOD / Science & Humanities
17	Dr. J. Srinivasan	Prof & HOD / Textile Technology
18	Prof.K.S.Lakshmanan	Controller of Examinations
19	Dr.J.Vijay Prakash	Deputy Controller of Examinations
Teachers of the college representing different categories of teaching staff by rotation on the basis of seniority of service in the College		
20	Dr.R.Manivel	Prof. Mech. (Prof.i/c. R&D)
21	Dr. Mary Cherian	Prof & Head, Academic Operations, DoA
22	Dr. E. A. Vimal	Deputy Controller of Examinations & ASSO.PROFESSOR/ Department of Computer Science & Engineering
Experts nominated by the Governing Body from outside the college representing such areas as Industry, Commerce, Law, Education, Medicine, Engineering, etc.,		
23	Prof.C.Muthamizhchelvan	Director, Faculty of Engineering and Technology, SRM University, SRM Nagar, Kattankulathur – 603 203 Tamilnadu, India selvan.cm@srmuniv.ac.in selvancm@gmail.com director.et@srmuniv.ac.in +91-44-27456020 099400 36004

24	Mr.Niranjan.P	Former Executive Director, Cameron Manufacturing India Pvt Ltd, Third Floor, TIDEL Park, Vilankurichi Road, Civil Aerodrome Post, Coimbatore 641 014,India	npiyer@npiyer.com Niranjan.P@c-a-m.com Tel: (91) 422 3995010 Fax: (91) 422 3995001 98947 90810
25	Mr.R.Ramesh (KCT Alumni – 1984-1988 batch Mech.)	Executive Director, Janatics India Pvt Limited, E-25, SIDCO Industrial Estate, Kurichi, Coimbatore- 641 021	ramesh@janatics.co.in Tel: +91 422 2672800 Fax: +91 422 2672304 98943 18377
26	Ms.Sudha Rengarajan (KCT Alumni – 85-89 batch)	Enterprise Architect, Intel Technology India Pvt Ltd, #23-56P, Outer Ring Road, Devarabeesanahalli, Varthur Hobli, Bellandur Post, Bangalore – 560 103	Sudha11@yahoo.com Sudha.rengarajan@intel.com Direct: +91 80 2605 3939 Cell: +91 99803 93108 Fax: +91 80 2605 5251
27	Mr.Hariharan Ganesan (Hari) KCT Alumni	Sector Head – Energy, EnSci A WEIR Group Enterprise, 10 th floor, Brigade Rubix, #20, HMT Road, Yeshwantpur, Bangalore – 560 022.	Harihara.Ganesan@weirgroup.com Tele: +91 80 4044 9091 Cell: +91 96209 11677 Fax: +91 80 4044 9001
Nominee of the University			
28	Dr. M. A. Bhagyaveni	Professor, Department of Electronics and Communication Engineering, CEG Campus Anna University, Chennai- 600 025	
29	Dr. M. Muttharam	Professor, Department of Civil Engineering, CEG Campus Anna University, Chennai- 600 025	
30	Dr. L. Elango	ProfessorDepartment of Geology, CEG Campus Anna University, Chennai- 600 025	
Faculty member nominated by the Principal (Member Secretary)			
31	Dr.Vinohar Stephen Rapheal	Head, Innovation and Planning, DoA	

5.3

Frequency of meetings & Date of last meeting	Twice in a year Dates of Last 3 meetings - 15 th meeting on 23.2.2018 & 16 th meeting on 11.4.2018 17 th meeting on 15.4.2019
---	---

5.4 Organizational chart



5.5	Nature and Extent of involvement of Faculty and students in academic affairs/improvements						
5.6	Mechanism/ Norms and Procedure for democratic/ good Governance						
5.7	Student feedback mechanism on Institutional Governance / faculty performance						
	<p>The faculty and students are fully and constructively involved in the academic as well as co-curricular and extracurricular activities. The students are highly disciplined and motivated. The faculty is devoted to their task of teaching and training. The system of industrial training is a grand success and model for industry institute partnership. All the events such as seminars, symposia, national / international level conferences and functions are organized by voluntary teams of staff and students whose morale is very high. Mechanism / Normal & procedure for democratic / good governance, student feedback on institutions Governance / faculty performance.</p> <p>Parent – Teachers Associations in every class / branch of study, class committee of staff and students, college committee of senior professors and a disciplinary committee help smooth functioning of the college. They meet periodically, discuss and decide on good governance and implementation. Feedback on faculty performance is collected from students. These forums also provided very purposeful feedback for analyzing and improving upon procedures.</p>						
5.8	Grievance redressal mechanism for faculty, staff and students						
	A grievance redressal committee consisting of four Heads of Departments (males) and two senior lady faculty members under the chairmanship of Principal is in place to enquire into and recommend suitable measures to redress grievance of faculty, staff and students.						
5.9	Establishment of Anti Ragging Committee						
	S. N.	Name	Position (Chairman/ Member)	Category	Present Designation/ Occupation	Telephone numbers	Email -id
	1	Dr.J.Srinivasan	Chairman	Principal	Principal	0422-26601121	principal@kct.ac.in
	2	Mr.D.Ramadurai murugan	Member	District Revenue Officer, Coimbatore	District Revenue Officer, Coimbatore	0422-2301114	dro.tncbe@nic.in
	3	Mr. V.Selvaraj	Member	Representative of Police Department	Inspector of Police	9498177783	b9saravanamp attyps@gmail.com
	4	Dr.R.Marudhachalam	Member	Representative of Teaching Faculty	ASSO.PROFESSOR	9944489489	marudhachalam.r.sci@kct.ac.in
	5	Dr. S. G. Mohanraj	Member	Representative of Teaching Faculty	Assistant Professor	9944067662	mohanraj.sg.sci@kct.ac.in
	6	Ms. M. Nirmala Devi	Member	Representative of Teaching Faculty	Physical Director	9344330084	physicaldirector@kct.ac.in
	7	Dr. V. Vijilesh	Member	Representative of Teaching Faculty	Head-Office of Student Affairs	9487700834	vijilesh@kct.ac.in
	8	Mrs.S.Vallikala	Member	Representative of Non-Teaching	Student Counselor	9487700822	vallikala.counselor@kct.ac.in
	9	Mr.S.Lakshmanumar	Member	Representative of Non-Teaching	Hostel -SWO	9445290430	swo@kct.ac.in
	10	Mr.M.Jai Suriya	Member	Representative of Student	Representative of students from 4 th year ECE	9444440064	jai.16ec@kct.ac.in
	11	Mr.R.Bharath	Member	Representative of Student	Representative of students from 3 rd year Civil	9944446250	bharath.17ce@kct.ac.in
	12	Ms. K.G. Poncekha	Member	Representative of Student	Representative of students from 3 rd year EIE	9842803499	ponsekha.17ei@kct.ac.in
	13	Mr.M.Pranesh	Member	Representative of Student	2 nd year Txt	9486294795	pranesh.18tt@kct.ac.in
	14	Mr.M.Aravind	Member	Representative of Student	2 nd year Txt	9385512452	aravind.18tt@kct.ac.in
	15	Prof. T.R.Sukumar	Member	Representative of Parent	F/o.S.Sukirthaa 3 rd year ECE	9487700839	trsuku68@yahoo.co.in

5.10	Establishment of Online Grievance Redressal mechanism	Online Grievance Redressal Mechanism is available and it is look into by the Grievance Redressal Committee.																																																																								
5.11	Establishment of Grievance Redressal Committee in the Institution and Appointment of OMBUDSMAN by the University	<table border="1"> <thead> <tr> <th>S.N</th> <th>Name</th> <th>Position</th> <th>Category</th> <th>Mobile No</th> <th>Email -id</th> </tr> </thead> <tbody> <tr> <td>1</td> <td>Dr.J.Srinivasan</td> <td>Chairperson</td> <td>Principal</td> <td>9487700830</td> <td>principal@kct.ac.in</td> </tr> <tr> <td>2</td> <td>Dr.A.Nirmalkumar</td> <td>Member</td> <td>Professor</td> <td>9842524957</td> <td>nirmalkumar.a@kct.ac.in</td> </tr> <tr> <td>3</td> <td>Dr. Ramalatha Marimuthu</td> <td>Member</td> <td>Professor</td> <td>9443856444</td> <td>ramalatha.m.it@kct.ac.in</td> </tr> <tr> <td>4</td> <td>Dr. U.S. Shoba</td> <td>Member</td> <td>Professor</td> <td>9789501519</td> <td>shoba.us.sci@kct.ac.in</td> </tr> <tr> <td>5</td> <td>Dr. D. Chandrakala</td> <td>Member</td> <td>Professor</td> <td>9442522106</td> <td>chandrakala.d.cse@kct.ac.in</td> </tr> <tr> <td>6</td> <td>Dr. J. Premalatha</td> <td>Member</td> <td>Professor</td> <td>9345386524</td> <td>premalatha.j@kct.ac.in</td> </tr> <tr> <td>7</td> <td>Dr.S.Mayurappriyan</td> <td>Member</td> <td>Professor</td> <td>9443092355</td> <td>marurappriyan.ps.eie@kct.ac.in</td> </tr> <tr> <td>8</td> <td>Dr.R.Baskar</td> <td>Member</td> <td>Professor</td> <td>9894709273</td> <td>baskar.r.bt@kct.ac.in</td> </tr> <tr> <td>9</td> <td>Dr.B.Senthilkumar</td> <td>Member</td> <td>Profeesor</td> <td>9486632722</td> <td>senthilkumar.b.mec@kct.ac.in</td> </tr> <tr> <td>10</td> <td>Ms. Geetha</td> <td>Member (External)</td> <td>Retd. Principal</td> <td>9447003064</td> <td>geethavarmanss@yahoo.in</td> </tr> <tr> <td>11</td> <td>Ms. Vallikala. S</td> <td>Member</td> <td>Students Counselor</td> <td>9842047424</td> <td>vallikala.counselor@kct.ac.in</td> </tr> </tbody> </table>	S.N	Name	Position	Category	Mobile No	Email -id	1	Dr.J.Srinivasan	Chairperson	Principal	9487700830	principal@kct.ac.in	2	Dr.A.Nirmalkumar	Member	Professor	9842524957	nirmalkumar.a@kct.ac.in	3	Dr. Ramalatha Marimuthu	Member	Professor	9443856444	ramalatha.m.it@kct.ac.in	4	Dr. U.S. Shoba	Member	Professor	9789501519	shoba.us.sci@kct.ac.in	5	Dr. D. Chandrakala	Member	Professor	9442522106	chandrakala.d.cse@kct.ac.in	6	Dr. J. Premalatha	Member	Professor	9345386524	premalatha.j@kct.ac.in	7	Dr.S.Mayurappriyan	Member	Professor	9443092355	marurappriyan.ps.eie@kct.ac.in	8	Dr.R.Baskar	Member	Professor	9894709273	baskar.r.bt@kct.ac.in	9	Dr.B.Senthilkumar	Member	Profeesor	9486632722	senthilkumar.b.mec@kct.ac.in	10	Ms. Geetha	Member (External)	Retd. Principal	9447003064	geethavarmanss@yahoo.in	11	Ms. Vallikala. S	Member	Students Counselor	9842047424	vallikala.counselor@kct.ac.in
S.N	Name	Position	Category	Mobile No	Email -id																																																																					
1	Dr.J.Srinivasan	Chairperson	Principal	9487700830	principal@kct.ac.in																																																																					
2	Dr.A.Nirmalkumar	Member	Professor	9842524957	nirmalkumar.a@kct.ac.in																																																																					
3	Dr. Ramalatha Marimuthu	Member	Professor	9443856444	ramalatha.m.it@kct.ac.in																																																																					
4	Dr. U.S. Shoba	Member	Professor	9789501519	shoba.us.sci@kct.ac.in																																																																					
5	Dr. D. Chandrakala	Member	Professor	9442522106	chandrakala.d.cse@kct.ac.in																																																																					
6	Dr. J. Premalatha	Member	Professor	9345386524	premalatha.j@kct.ac.in																																																																					
7	Dr.S.Mayurappriyan	Member	Professor	9443092355	marurappriyan.ps.eie@kct.ac.in																																																																					
8	Dr.R.Baskar	Member	Professor	9894709273	baskar.r.bt@kct.ac.in																																																																					
9	Dr.B.Senthilkumar	Member	Profeesor	9486632722	senthilkumar.b.mec@kct.ac.in																																																																					
10	Ms. Geetha	Member (External)	Retd. Principal	9447003064	geethavarmanss@yahoo.in																																																																					
11	Ms. Vallikala. S	Member	Students Counselor	9842047424	vallikala.counselor@kct.ac.in																																																																					
5.12	Establishment of Internal Complaint Committee:	Committee constituted as per norms																																																																								
5.13	Establishment of Committee for SC / ST:	Committee constituted as per norms																																																																								
5.14	Internal Quality Assurance Cell :	IQAC is formed and periodical audit is being done.																																																																								

6. Programmes

S. No.	Degree	Branch	Year of Starting	Intake	Duration	Accreditation status
1	B.E.	Civil Engineering	1984	120	4 years	Accredited till 30.6.2022
2	B.E.	Mechanical Engineering	1984	180	4 years	Accredited till 30.6.2022
3	B.E.	Electrical and Electronics Engineering	1984	120	4 years	Accredited till 30.6.2022
4	B.E.	Electronics and Communication Engineering	1986	180	4 years	Accredited till 30.6.2022
5	B.E.	Computer Science and Engineering	1986	120	4 years	Accredited till 30.6.2022
6	B.Tech.	Textile Technology	1995	60	4 years	Accredited till 30.6.2022
7	B.Tech.	Information Technology	1998	60	4 years	Accredited till 30.6.2022
8	B.E.	Mechatronics Engineering	1999	60	4 years	Accredited till 30.6.2022
9	B.Tech.	BioTechnology	2002	60	4 years	Accredited till 30.6.2020
10	B.Tech.	Fashion Technology	2002	60	4 years	Accredited till 30.6.2020
11	B.E.	Electronics and Instrumentation Engineering	2006	60	4 years	Accredited till 30.6.2020
12	B.E.	Aeronautical Engineering	2006	60	4 years	Accredited till 30.6.2020
13	B.E.	Automobile Engineering	2011	60	4 years	Not Applied
14	B.E.	Information Science and Engineering	2018	60	4 years	Not Eligible
15	M.C.A.	Master of Computer Applications	1993	60	3 years	Not Applied
16	M.B.A.	Master of Business Administration	2004	180	2 years	Accredited till 30.6.2020
17	M.E.	Structural Engineering	2003	18	2 years	Not Applied
18	M.E.	Environmental Engineering	2018	18	2 years	Not Eligible
19	M.E.	CAD/CAM	2003	18	2 years	Not Applied
20	M.E.	Industrial Engineering	1997	18	2 years	Not Applied
21	M.E.	Embedded System Technologies	2011	18	2 years	Not Applied
22	M.E.	Power Electronics and Drives	2003	18	2 years	Not Applied
23	M.E.	Applied Electronics	2002	18	2 years	Not Applied
24	M.E.	Communication Systems	2002	18	2 years	Not Applied
25	M.E.	Computer Science and Engineering	1999	18	2 years	Not Applied
26	M.Tech.	Data Science	2018	18	2 years	Not Eligible
27	M.Tech.	Bio-Technology	2007	18	2 years	Accredited till 30.6.2020
28	M.Tech.	Apparel Technology	2004	18	2 years	Not Applied
29	M.Tech.	Master of Technology Management	2018	18	2 years	Not Eligible

Total No. of Course : 29

Total eligible for Accreditation : 25

Total No. of courses Accredited : 14

Total No. of courses applied : 0

Minimum Cut-Off marks / Maximum overall Rank (State level) (branchwise / Communitywise)

Academic year 2018-19

Year	College
2018	KUMARAGURU COLLEGE OF TECHNOLOGY (AUTONOMOUS)

Branch	OC		BC		BCM		MBC/DNC		SC		SCA		ST	
	RANK	AGGR	RANK	AGGR	RANK	AGGR	RANK	AGGR	RANK	AGGR	RANK	AGGR	RANK	AGGR
AERONAUTICAL ENGINEERING	9310	190.50	17061	185.00	13524	187.75	20272	182.25	50951	153.00	29242	174.50		
AUTOMOBILE ENGINEERING	14810	186.75	17165	184.75	36794	167.25	24785	178.50	54150	149.50	86072	113.00		
BIO-TECHNOLOGY	7959	191.50	10111	190.00	28741	175.00	15925	185.75	54989	148.75	65725	137.00		
CIVIL ENGINEERING	15361	186.25	19008	183.25	37410	166.50	25832	177.50	54646	149.00	86268	112.75	89093	109.00
COMPUTER SCIENCE AND ENGG.	4050	194.75	5575	193.50	13605	187.50	10734	189.75	38579	165.50	53868	150.00	53635	150.25
ELECTRONICS AND COMMUNICATION ENGG.	5799	193.25	7211	192.25	23053	180.00	12668	188.25	44998	159.00	51418	152.50	50009	154.00
ELECTRICAL AND ELECTRONICS ENGG.	7674	191.75	9088	190.75	33243	170.75	15379	186.25	48808	155.25	70205	132.25		
ELECTRONICS AND INSTRU ENGG.	11002	189.50	12054	188.75	30280	173.50	21855	181.00	57688	145.75	75306	126.25		
FASHION TECHNOLOGY	19013	183.25	22869	180.00	42618	161.50	33907	170.00	87103	111.75				
INFORMATION SCIENCE AND ENGINEERING	10720	189.75	12224	188.75	25861	177.50	26627	176.75	83333	116.50	91258	106.00		
INFORMATION TECHNOLOGY	6261	193.00	6970	192.25	13670	187.50	13321	187.75	41177	162.75	55638	148.00		
MECHATRONICS	9466	190.50	11361	189.25	15343	186.25	18700	183.50	60424	143.00	87276	111.50		
MECHANICAL ENGINEERING	9679	190.25	10903	189.50	17101	184.75	16823	185.00	48459	155.50	58435	145.00	59792	143.50
TEXTILE TECHNOLOGY	18810	183.50	21818	181.00	39996	164.00	35361	168.50	91306	105.75	86884	112.00		

Academic year 2017-18

Year	College
2017	KUMARAGURU COLLEGE OF TECHNOLOGY (AUTONOMOUS)

Branch	OC		BC		BCM		MBC/DNC		SC		SCA		ST	
	RANK	AGGR	RANK	AGGR	RANK	AGGR	RANK	AGGR	RANK	AGGR	RANK	AGGR	RANK	AGGR
Aeronautical Engineering	8323	194.50	11937	192.50	10964	193.00	15852	190.33	34789	179.50	71645	155.25		
Automobile Engineering	8880	194.00	10550	193.25	11221	192.75	12299	192.25	49491	170.25	71717	155.25		
Bio-Technology	7685	194.75	9154	194.00	8284	194.50	12677	192.00	38369	177.25	41199	175.50		
Civil Engineering	8870	194.00	10741	193.00	13276	191.75	15199	190.75	49437	170.25	44174	173.75	14847	191.00
Computer Science and Engg.	4642	196.50	5398	196.00	13749	191.50	10360	193.25	43525	174.00	38042	177.50	86073	144.75
Electronics and Comm Engg.	4249	196.50	5107	196.25	10420	193.25	10484	193.25	33434	180.25	33068	180.50	65406	159.50
Electrical and Elec. Engg.	5436	196.00	6163	195.50	11433	192.75	11439	192.75	39007	177.00	43066	174.50	89878	142.00
Electronics and Instru Engg.	6767	195.25	7712	194.75	10728	193.00	12847	192.00	49295	170.50	88837	142.75		
Fashion Technology	14059	191.25	18366	189.25	20046	188.25	20440	188.00	73827	153.75				
Information Technology	6126	195.50	6543	195.25	14174	191.25	11225	192.75	49003	170.50	48998	170.50		
Mechatronics	7510	194.75	8376	194.25	11888	192.50	11946	192.50	41062	175.50	63005	161.25		
Mechanical Engineering	5996	195.75	6748	195.25	10205	193.25	10722	193.00	34162	180.00	40879	175.75	82233	147.75
Textile Technology	13754	191.50	17532	189.50	23583	186.25	21091	187.75	84658	146.00	66104	159.00		

Academic year 2016-17

Year	College
2016	KUMARAGURU COLLEGE OF TECHNOLOGY (AUTONOMOUS)

Branch	OC		BC		BCM		MBC/DNC		SC		SCA		ST	
	RANK	AGGR	RANK	AGGR	RANK	AGGR	RANK	AGGR	RANK	AGGR	RANK	AGGR	RANK	AGGR
Aeronautical Engineering	10205	192.25	15882	189.00	16598	188.50	19807	186.50	44762	169.75	41165	172.25		
Automobile Engineering	11301	191.50	12994	190.50	21377	185.50	22477	185.00	59221	158.75	106938	116.75		
Bio-Technology	8252	193.25	10842	191.75	15117	189.50	20578	186.00	50912	165.00	87821	134.75		
Civil Engineering	9690	192.50	11846	191.25	16466	188.75	16271	188.75	44901	169.50	37447	175.00	63855	155.00
Computer Science and Engg.	5437	195.00	6128	194.50	11115	191.67	10963	191.75	38207	174.50	45645	169.00	96104	127.50
Electronics and Comm Engg.	5001	195.25	6081	194.50	11770	191.25	10335	192.00	34647	177.00	41719	172.00	45783	169.00
Electrical and Elec. Engg.	6639	194.25	7106	194.00	16904	188.50	11424	191.50	36978	175.25	52053	164.25		
Electronics and Instru Engg.	8203	193.25	9206	192.75	17583	188.00	17246	188.25	47072	168.00	53602	163.00		
Fashion Technology	19176	187.00	26329	182.50	78629	142.75	50799	165.25	99863	124.00	98204	125.50		
Information Technology	6672	194.25	7006	194.00	13877	190.00	11923	191.25	47508	167.75	47458	167.75	101639	122.00
Mechatronics	7659	193.50	8830	193.00	12811	190.75	19166	187.00	51318	164.75	69361	150.50		
Mechanical Engineering	6173	194.50	7162	194.00	11885	191.25	11699	191.25	31566	179.00	46518	168.50	35031	176.75
Textile Technology	21980	185.25	28910	181.00	23715	184.25	37217	175.00	97596	126.00				

Academic year 2015-16

Branch	Government Quota						
	OC	BC	BCM	MBC	SC	SCA	ST
Civil Engineering	196.50	196.25	195.00	193.75	181.25	174.00	185.00
Mechanical Engineering	197.50	197.25	194.00	195.00	182.00	178.00	176.00
Electrical & Electronics Engineering	197.25	196.75	195.00	194.00	180.00	179.00	158.25
Electronics & Communication Engg.	197.50	197.00	195.00	194.25	178.50	167.50	198.00
Computer Science & Engineering	197.00	196.25	194.75	193.25	174.75	146.00	127.25
Information Technology	196.25	196.25	192.00	192.50	170.50	146.75	131.50
Textile Technology	193.25	189.75	174.50	180.00	127.25	122.50	-
Mechatronics Engineering	196.75	196.00	196.25	192.50	173.25	172.75	-
Bio-Technology	195.75	194.50	190.00	188.75	165.75	151.75	-
Fashion Technology	188.25	188.75	186.50	178.00	102.75	102.50	-
Electronics & Instrumentation Engg.	195.50	196.25	188.00	191.75	170.75	165.75	134.50
Aeronautical Engineering	193.25	192.50	189.25	188.50	169.00	141.25	-
Automobile Engineering	194.25	195.50	191.00	192.75	168.25	141.50	120.75

Fees in INR (per annum)

Course	NBA Status	2019-20	2018-19	2017-18	2016-17	2015-16
B.E./ B.Tech.	Accredited	55,000	55,000	55,000	45,000	45,000
	Non-Accredited	50,000	50,000	50,000	40,000	40,000
	Management quota (Accredited)	1,25,000	87,000	87,000	70,000	70,000
	Management quota (Non-Accredited)	1.20,000	85,000	85,000	70,000	70,000
M.E./M.Tech.		50,000	50,000	50,000	50,000	50,000
M.C.A.		35,000	35,000	35,000	30,000	30,000
M.B.A.		35,000	35,000	35,000	30,000	30,000
Number of Fee Waivers offered		--	1	5	11	4
Admission Calendar		May to July	May to July	May to July	May to July	May to July
PIO quota		No	No	No	No	No

Placement facilities / campus placement for last 3 years:

S. No.	Name of the program	Details	2017-18	2016-17	2015-16
1	B.E. Civil Engineering	No. Graduated	113	127	68
		No. Placed	44	58	50
		Min. Salary	1.8 Lakhs	1.8 Lakhs	3.25 Lakhs
		Max. Salary	4.5 Lakhs	4.5 Lakhs	3.82 Lakhs
		Avg. Salary		2.81 Lakhs	3.60 Lakhs
2	B.E.Mechanical Engineering	No. Graduated	182	199	183
		No. Placed	95	91	146
		Min. Salary	2.5 Lakhs	3 Lakhs	3.25 Lakhs
		Max. Salary	9 Lakhs	5.4 Lakhs	8 Lakhs
		Avg. Salary		3.64 Lakhs	4.6 Lakhs
3	B.E. Mechatronics Engineering	No. Graduated	58	56	64
		No. Placed	32	27	35
		Min. Salary	2 Lakhs	3 Lakhs	3.25 Lakhs
		Max. Salary	4 Lakhs	4.5 Lakhs	8 Lakhs
		Avg. Salary		3.56 Lakhs	3.15 Lakhs
4	B.E. Electrical and Electronics Engineering	No. Graduated	129	135	71
		No. Placed	82	94	55
		Min. Salary	3 Lakhs	2.25 Lakhs	3.25 Lakhs
		Max. Salary	7.5 Lakhs	9 Lakhs	7.55 Lakhs
		Avg. Salary		3.87 Lakhs	3.20 Lakhs

S. No.	Name of the program	Details	2017-18	2016-17	2015-16
5	B.E. Electronics and Communication Engineering	No. Graduated	188	196	145
		No. Placed	133	118	135
		Min. Salary	3 Lakhs	2.5 Lakhs	3.25 Lakhs
		Max. Salary	9 Lakhs	8 Lakhs	8 Lakhs
		Avg. Salary		3.87 Lakhs	4.50 Lakhs
6	B.E. Computer Science and Engineering	No. Graduated	121	124	126
		No. Placed	90	90	95
		Min. Salary	3 Lakhs	2.4 Lakhs	3.25 Lakhs
		Max. Salary	9 Lakhs	16.5 Lakhs	7.55 Lakhs
		Avg. Salary		4.22 Lakhs	3.5 Lakhs
7	B.Tech.Information Technology	No. Graduated	56	56	59
		No. Placed	38	50	48
		Min. Salary	3.82 Lakhs	3 Lakhs	3.25 Lakhs
		Max. Salary	28 Lakhs	7.55 Lakhs	16.5 Lakhs
		Avg. Salary		3.82 Lakhs	3.4 Lakhs
8	B.E. Electronics and Instrumentation Engineering	No. Graduated	60	58	59
		No. Placed	30	48	37
		Min. Salary	2 Lakhs	2.5 Lakhs	3.25 Lakhs
		Max. Salary	9 Lakhs	7.55 Lakhs	8 Lakhs
		Avg. Salary		3.97 Lakhs	3.35 Lakhs
9	B.Tech.Textile Technology	No. Graduated	34	54	58
		No. Placed	16	26	34
		Min. Salary	2.54	1.8 Lakhs	3 Lakhs
		Max. Salary	3.8 Lakhs	3.5 Lakhs	3.82 Lakhs
		Avg. Salary		2.83 Lakhs	3.32 Lakhs
10	B.Tech.Fashion Technology	No. Graduated	61	50	64
		No. Placed	28	22	30
		Min. Salary	2 Lakhs	2 Lakhs	2.54 Lakhs
		Max. Salary	4.5 Lakhs	3.82 Lakhs	3.85 Lakhs
		Avg. Salary		2.7 Lakhs	2.2 Lakhs
11	B.Tech.BioTechnology	No. Graduated	59	58	54
		No. Placed	30	22	31
		Min. Salary	1.8 Lakhs	3.6 lakhs	3.25 Lakhs
		Max. Salary	3.82 Lakhs	4.25 Lakhs	3.82Lakhs
		Avg. Salary		3.72 Lakhs	3.02 Lakhs
12	B.E. Aeronautical Engineering	No. Graduated	55	57	69
		No. Placed	30	26	21
		Min. Salary	3 Lakhs	2.4 Lakhs	3.25 Lakhs
		Max. Salary	3.82 Lakhs	3.82 Lakhs	4.2 Lakhs
		Avg. Salary		3.47 Lakhs	3.5 Lakhs
13	B.E.Automobile Engineering	No. Graduated	60	62	70
		No. Placed	33	25	38
		Min. Salary	1.8 Lakhs	2 Lakhs	3.25 Lakhs
		Max. Salary	9 Lakhs	3.75 Lakhs	3.82 Lakhs
		Avg. Salary		3.50 Lakhs	3.58 Lakhs
14	Master of Computer Applications	No. Graduated	67	116	139
		No. Placed	34	40	68
		Min. Salary	2.4 Lakhs	3.82 lakhs	3.25 Lakhs
		Max. Salary	7 Lakhs	7.5 Lakhs	7.2 Lakhs
		Avg. Salary			3.25 Lakhs
15	Master of Business Administration	No. Graduated	169	166	164
		No. Placed		133	117
		Min. Salary			
		Max. Salary			
		Avg. Salary		4.00 Lakhs	3.50 Lakhs

S. No.	Name of the program	Details	2017-18	2016-17	2015-16
16	M.E. Structural Engineering	No. Graduated	18	18	17
		No. Placed	2	2	0
		Min. Salary	2 Lakhs	3.6 Lakhs	-
		Max. Salary	2 Lakhs	3.6 Lakhs	-
		Avg. Salary		3.6 Lakhs	-
17	M.E. Industrial Engineering	No. Graduated	14	11	22
		No. Placed	6	3	5
		Min. Salary	2 Lakhs	3 Lakhs	3 Lakhs
		Max. Salary	3 Lakhs	3 Lakhs	4.5 Lakhs
		Avg. Salary		2.2 Lakhs	
18	M.E. CAD/CAM	No. Graduated	10	8	18
		No. Placed	3	0	1
		Min. Salary	2.5 Lakhs	-	3.35 Lakhs
		Max. Salary	3 Lakhs	-	3.35 Lakhs
		Avg. Salary		-	3.35 Lakhs
19	M.E. Power Electronics and Drives	No. Graduated	7	13	18
		No. Placed	2	1	8
		Min. Salary	2 Lakhs	1.8 Lakh	3.25 Lakhs
		Max. Salary	2 Lakhs	1.8 Lakh	3.25 Lakhs
		Avg. Salary	2 Lakhs	1.8 Lakhs	2.64 Lakhs
20	M.E. Embedded System Technologies	No. Graduated	8	13	18
		No. Placed	1	2	8
		Min. Salary	2.5 Lakhs	1.8 Lakhs	3.25 Lakhs
		Max. Salary	2.5 Lakhs	3 Lakhs	3.35 Lakhs
		Avg. Salary		1.84 Lakhs	3.0 Lakhs
21	M.E. Applied Electronics	No. Graduated	7	11	13
		No. Placed	0	0	1
		Min. Salary	-	-	3.12 Lakhs
		Max. Salary	-	-	3.12 Lakhs
		Avg. Salary	-	-	3.12 Lakhs
22	M.E. Communication Systems	No. Graduated	12	13	26
		No. Placed	2	1	10
		Min. Salary	3 Lakhs	3.25 Lakhs	3.25 Lakhs
		Max. Salary	3 Lakhs	3.25 Lakhs	4.2 Lakhs
		Avg. Salary		3.5 Lakhs	3.12 Lakhs
23	M.E. Computer Science and Engineering	No. Graduated	11	18	24
		No. Placed	3	1	5
		Min. Salary	2.6 Lakhs	8 Lakhs	3.25 Lakhs
		Max. Salary	6 Lakhs	8 Lakhs	4.2 Lakhs
		Avg. Salary		8.00 Lakhs	3.35 Lakhs
24	M.Tech. BioTechnology	No. Graduated	13	6	12
		No. Placed	0	0	3
		Min. Salary	-	-	3.25 Lakhs
		Max. Salary	-	-	3.25 Lakhs
		Avg. Salary	-	-	3.15 Lakhs
25	M.Tech. Apparel Technology	No. Graduated	2	0	0
		No. Placed	0	0	0
		Min. Salary	-	-	-
		Max. Salary	-	-	-
		Avg. Salary	-	-	-

7 Faculty

S.N	AICTE ID	Name of the faculty			Qualification		Exact Designation
PRINCIPAL							
1	1-433694271	Dr.	J	SRINIVASAN	B.TECH.	M.TECH.,Ph.D	PRINCIPAL
CIVIL ENGINEERING							
2	1-419947111	Dr.	J	PREMALATHA	B.E.	M.E.,Ph.D	PROFESSOR
3	1-2185690521	Dr.	N	RAMSUNDRAM	B.E.	M.E.,Ph.D	ASSO.PROFESSOR
4	1-3174101982	Dr.	V	GAYATHRI	B.E.	M.TECH.,Ph.D	ASSO.PROFESSOR
5	1-419947243	Dr.	A	GANDHIMATHI	B.E.	M.E.,Ph.D	ASSO.PROFESSOR
6	1-421178539	Dr.	K	RAMADEVI	B.E.	M.E.,Ph.D	ASSO.PROFESSOR
7	1-4256910484	Dr.	V	SELVAN	BE	ME,Ph.D	ASSO.PROFESSOR
8	1-1409281293	Mr.	S	KARTHIKEYAN	BE	M.E.	ASST PROFESSOR
9	1-2285100204	Mr.	P	NANDHAKUMAR	B.E.	M.E.	ASST PROFESSOR
10	1-2285100209	Mr.	A	VISHNU	B.E.	M.E.	ASST PROFESSOR
11	1-2285100284	Ms.	S.K	SHIVARANJANI	B.E.	ME	ASST PROFESSOR
12	1-2285100289	Mrs.	D	RAJALAKSHMI	B.E.	M.TECH.	ASST PROFESSOR
13	1-2285100389	Mrs.		LISA MARY THOMAS	B.TECH.	M.TECH.	ASST PROFESSOR
14	1-2285100494	Mr.	G	KARTHIKEYAN	B.E.	M.E.	ASST PROFESSOR
15	1-2665266986	Ms.	S	ANITA	BE	M.TECH	ASST PROFESSOR
16	1-2681344705	Mr.	P	SACHIN PRABHU	BE	ME	ASST PROFESSOR
17	1-2681344779	Mr.	J	VISWANATH	BE	ME	ASST PROFESSOR
18	1-2681370361	Mr.	P A	PRABAKARAN	BE	ME	ASST PROFESSOR
19	1-3174101614	Mr.	T	ANAND	B.E.	M.E.	ASST PROFESSOR
20	1-3545080188	Mr.	HA	NISHAANT	B.E.	M.E	ASST PROFESSOR
21	1-783586782	Mr.	V	SENTHILKUMAR	B.E.	M.E.	ASST PROFESSOR
22	1-7384281725	Mrs.	U	SINDHU VAARDINI	B.E.	M.E.	ASST PROFESSOR
23	1-7384020759	Mrs.	B I	SONIA	B.E.	M.Tech.	ASST PROFESSOR
STRUCTURAL ENGINEERING							
24	1-419947115	Dr.	P	ESWARAMOORTHY	B.E.	M.E.,Ph.D	PROFESSOR
25	1-421178637	Dr.	R	MANJU	B.E.	M.E.,Ph.D	ASSO.PROFESSOR
26	1-492437505	Mr.	K.R.P.	SATHEESH KUMAR	B.E.	M.E.	ASST PROFESSOR
ENVIRONMENTAL ENGINEERING							
27	1-421178535	Dr.	G L	SATHYA MOORTHY	B.E.	M.E.,Ph.D	PROFESSOR
28	1-3544699842	Dr.	A	GEETHAKARTHI	B.E	M.E,Ph.D	ASSO.PROFESSOR
29	1-2665242323	Ms.	M	JAMUNA	BE	ME	ASST PROFESSOR
MECHANICAL ENGINEERING							
30	1-424615611	Dr.	V	MUTHUKUMARAN	B.E	M.E,Ph.D	PROFESSOR
31	1-424615619	Dr.	C	VELMURUGAN	B.E.	M.E.,Ph.D	PROFESSOR
32	1-2190077682	Dr.	R	MANIVEL	B.E.	ME,Ph.D	PROFESSOR
33	1-2288752972	Dr.	K.M.	SENTHILKUMAR	BE	ME,Ph.D	ASSO.PROFESSOR
34	1-3544699764	Dr.	S	BALASUBRAMANIAN	B.E	ME,Ph.D	ASSO.PROFESSOR
35	1-424615783	Dr.	V.R	MURUGANANTHAM	B.E.	ME,Ph.D	ASSO.PROFESSOR
36	1-424615985	Dr.	B	SENTHILKUMAR	B.E.	ME,Ph.D	ASSO.PROFESSOR
37	1-424616093	Dr.	N	SANGEETHA	B.E.	ME,Ph.D	ASSO.PROFESSOR
38	1-424616229	Dr.	S	THIRUMURUGAVEERAKUMAR	B.E.	ME,Ph.D	ASSO.PROFESSOR
39	1-425492199	Dr.	M	BALAJI	B.E.	ME,Ph.D	ASSO.PROFESSOR
40	1-1433318454	Mr.	M	RAMESH KUMAR	B.E.	M.E.	ASST PROFESSOR
41	1-1433318459	Mr.	K	KRISHNAMOORTHY	B.E.	M.E.	ASST PROFESSOR
42	1-1434869599	Mr.	S	RAJESH	B.E.	M.E.	ASST PROFESSOR
43	1-1526240295	Mr.	S	RAMANATHAN	B.E.	M.E.	ASST PROFESSOR
44	1-2286900819	Mr.	V R	NAVANEETH	BE	ME	ASST PROFESSOR
45	1-2288815772	Dr.	P S	SAMUEL RATNA KUMAR	BE	M.TECH.,Ph.D	ASST PROFESSOR
46	1-2316184602	Mr.	S	PRABHU	BE	ME	ASST PROFESSOR

S.N	AICTE ID	Name of the faculty			Qualification		Exact Designation
47	1-2323646241	Mr.	R S	MOHAN KUMAR	B.E.	M.E.	ASST PROFESSOR
48	1-2335910870	Mr.	K.S.	LAKSHMANAN	B.TECH.	M.TECH.	ASST PROFESSOR
49	1-2464653442	Mr.	B	JEEVA	BE	MTECH	ASST PROFESSOR
50	1-2464698564	Mr.	P	PRADEEP	BE	M.E	ASST PROFESSOR
51	1-2464816062	Mr.	P	KARTHI	B.E	M.TECH	ASST PROFESSOR
52	1-2464867935	Mr.	S	SUBBIAH	B.E.	M.E.	ASST PROFESSOR
53	1-2643641106	Mr.	P.D	DEVAN	B.E.	M.E	ASST PROFESSOR
54	1-2681441556	Mr.	P	PRASHANTH	BE	M.TECH	ASST PROFESSOR
55	1-2762784133	Mr.	T	KARUPPUSAMY	BE	ME	ASST PROFESSOR
56	1-3174945223	Mr.	M.A	VINAYAGAMOORTH	B.E.	M.E.	ASST PROFESSOR
57	1-3175161557	Mr.	S	SURESH	B.E.	M.E.	ASST PROFESSOR
58	1-3176030902	Dr.	S	SIVAKUMAR	B.E.	M.E.,Ph.Dv	ASST PROFESSOR
59	1-3543202934	Mr.	K R	ANANTH	BE	ME	ASST PROFESSOR
60	1-3545561534	Mr.	B N	SREEHARAN	B.E	M.E	ASST PROFESSOR
61	1-424616221	Dr.	K.K	ARUN	B.E.	M.TECH.,Ph.D	ASST PROFESSOR
62	1-425492015	Mr.	P.R	AYYAPPAN	B.E.	M.E.	ASST PROFESSOR
63	1-425542605	Mr.	S	SIVAKUMAR	B.E.	M.E.	ASST PROFESSOR
64	1-4256474724	Mr.	S	KIRANLAL	B.TECH	M.E	ASST PROFESSOR
65	1-725233682	Dr.	A.P	ARUN	B.E.	M.E.,Ph.D	ASST PROFESSOR
66	1-725233690	Mr.	K	ULAGANATHAN	B.E.	M.E	ASST PROFESSOR
67	1-725856854	Mr.	V	MANIVEL MURALIDARAN	B.E.	M.TECH	ASST PROFESSOR
68	1-725856956	Dr.	S	BALAJI	B.E	M.E.,Ph.D	ASST PROFESSOR
69	1-725856960	Mr.	S	PRABHU	B.E	M.E	ASST PROFESSOR
INDUSTRIAL ENGINEERING							
70	1-2467603362	Dr.	P.	SATHYABALAN	B.E.	M.E.,Ph.D	PROFESSOR
71	1-425492137	Mr.	T.R	SUKUMAR	B.E.	M.E.	ASSO.PROFESSOR
72	1-3175785377	Mr.	K	MANIKANDA PRASATH	B.E.	M.E.	ASST PROFESSOR
COMPUTER AIDED DESIGN AND MANUFACTURE							
73	1-424089109	Dr.	S	BHASKAR	B.E.	M.E.,Ph.D	ASSO.PROFESSOR
74	1-2654641213	Mr.	M	THIRUMALAIMUTHUKUMARAN	BE	ME	ASST PROFESSOR
ELECTRICAL AND ELECTRONICS ENGINEERING							
75	1-424170979	Dr.	K	MALARVIZHI	B.E.	M.E.,Ph.D	PROFESSOR
76	1-3181199557	Dr.	A	NIRMAL KUMAR	B.SC.	M.SC.,Ph.D	PROFESSOR
77	1-424248925	Dr.	K	PREMALATHA	B.E.	M.E.,Ph.D	ASSO.PROFESSOR
78	1-424763431	Dr.	C	UDHAYASHANKAR	B.E.	M.TECH.,Ph.D	ASSO.PROFESSOR
79	1-424763435	Dr.	R	KAVITHA	B.E.	M.E.,Ph.D	ASSO.PROFESSOR
80	1-424763439	Dr.	M	MOHANRAJ	B.E.	M.E.,Ph.D	ASSO.PROFESSOR
81	1-424763551	Dr.	B	KARUNAMOORTHY	B.E.	M.E.,Ph.D	ASSO.PROFESSOR
82	1-1503032326	Mrs.	R.S.	SANDHYA DEVI	B.E.	M.E.	ASST PROFESSOR
83	1-2282312034	Mrs.	D	SHARMITHA	B.E.	M.E.	ASST PROFESSOR
84	1-2282312117	Mr.	V R	BALAJI	B.E.	M.E.	ASST PROFESSOR
85	1-2282312174	Ms.	G	ANUSHREE	B.E.	M.E.	ASST PROFESSOR
86	1-2661246236	Mr.	T	VISWANATHAN	BE	ME	ASST PROFESSOR
87	1-2665700868	Mr.	T	DINESHKUMAR	BE	ME	ASST PROFESSOR
88	1-2670054353	Mr.	N	MOHANA SUNDARAM	BE	ME	ASST PROFESSOR
89	1-2684088199	Mr.	S	ARUNKUMAR	BE	ME	ASST PROFESSOR
90	1-3175944398	Mr.	C	SASI KUMAR	B.E.	M.TECH.	ASST PROFESSOR
91	1-3180902997	Mr.	S	SURYAPRAKASH	B.E.	M.E.	ASST PROFESSOR
92	1-3545537074	Dr.	N	VINOTH KUMAR	B.E	M.E.,Ph.D	ASST PROFESSOR
93	1-424763467	Dr.	M	NIRMALA	B.E.	M.E.,Ph.D	ASST PROFESSOR
94	1-424763555	Mrs.	T	SHANTHI	B.E.	M.TECH.	ASST PROFESSOR
95	1-424763559	Mr.	J	RAMPRABU	B.E.	M.E	ASST PROFESSOR
96	1-492710877	Mr.	S.	KALIAPPAN	B.E.	M.E.	ASST PROFESSOR

S.N	AICTE ID	Name of the faculty			Qualification		Exact Designation
97	1-720035422	Dr.	N	PRAKASH	BE	ME.,Ph.D	ASST PROFESSOR
98	1-720138311	Mr.	R	SURESHKUMAR	BE	ME	ASST PROFESSOR
POWER ELECTRONICS AND DRIVES							
99	1-424248921	Dr.	P	THIRUMOORTHY	B.E.	M.TECH.,Ph.D	PROFESSOR
100	1-720138318	Mrs.	P	MAITHILI	BE	ME	ASST PROFESSOR
EMBEDDED SYSTEMS TECHNOLOGIES							
101	1-3175944356	Dr.	K	PARAMASIVAM	BE	ME.,Ph.D	PROFESSOR
102	1-424248973	Dr.	V	KANDASAMY	B.E.	M.TECH.,Ph.D	ASSO.PROFESSOR
103	1-2661246023	Mr.	M	MATHAN KUMAR	BE	M.TECH	ASST PROFESSOR
ELECTRONICS AND COMMUNICATIONS ENGINEERING							
104	1-1415352837	Dr.	S.A.	PASUPATHY	BE	M.TECH.,Ph.D	PROFESSOR
105	1-423273355	Mr.	K	RAMPRAKASH	B.E	M.E	PROFESSOR
106	1-424564881	Dr.	A	AMSAVENI	B.E	M.E.,Ph.D	PROFESSOR
107	1-424590611	Dr.	K	KAVITHA	B.E	M.E.,Ph.D	PROFESSOR
108	1-721694642	Dr.	S	RAMALATHA	B.E.,	M.S., ,Ph.D	PROFESSOR
109	1-424113871	Dr.	M	SHANTHI	B.E.	M.S.,Ph.D	ASSO.PROFESSOR
110	1-424564885	Dr.	S	UMAMAHESWARI	B.E	M.E.,Ph.D	ASSO.PROFESSOR
111	1-424564889	Dr.	S	SASIKALA	B.E	M.TECH.,Ph.D	ASSO.PROFESSOR
112	1-424564993	Ms.	R	HEMALATHA	B.E	M.E	ASSO.PROFESSOR
113	1-425542713	Dr.	S.N	SHIVAPPRIYA	B.E	M.E.,Ph.D	ASSO.PROFESSOR
114	1-7368390778	Dr.	B.	GOPINATH	B.E.	M.E., Ph.D.	ASSO.PROFESSOR
115	1-2191279369	Mr.	D	ALLIN JOE	BE	ME	ASST PROFESSOR
116	1-2191284657	Ms.	K	ANUSHA	BE	ME	ASST PROFESSOR
117	1-2191285302	Mr.	S	KARTHIK	BE	ME	ASST PROFESSOR
118	1-2191336604	Mr.	R	KARTHI KUMAR	BE	ME	ASST PROFESSOR
119	1-2642657333	Ms.		SHIJI SHAJAHAN	BTECH	MTECH	ASST PROFESSOR
120	1-2643185936	Mr.	R	NAVANEETHAKRISHNAN	BE	ME	ASST PROFESSOR
121	1-2898215491	Ms.	K	KARTHIKA	BE	ME	ASST PROFESSOR
122	1-2898237092	Mr.	S	DAVID	BE	ME	ASST PROFESSOR
123	1-3175944042	Mr.	S	ARUN KUMAR	B.E.	M.TECH.	ASST PROFESSOR
124	1-3183450447	Ms.	T	JASPAR VINITHA SUNDARI	B.TECH.	M.TECH.	ASST PROFESSOR
125	1-3183450582	Ms.		ASHWINI A METRI	B.E.	M.TECH.	ASST PROFESSOR
126	1-3291299727	Mr.		TIMOTHY DHAYAKAR PAUL	B.E.	M.E.	ASST PROFESSOR
127	1-3358276049	Mr.	V P	AJAY	BE	ME	ASST PROFESSOR
128	1-3545537013	Ms.	S	TAMILELAKKIYA	B.E	M.E	ASST PROFESSOR
129	1-425542781	Mr.	R	DARWIN	B.E	M.E	ASST PROFESSOR
130	1-425542785	Mr.	R	KARTHIKEYAN	B.E	M.E	ASST PROFESSOR
131	1-425542789	Ms.	R	DHIVYA PRABA	B.E	M.E	ASST PROFESSOR
132	1-425543041	Ms.	A	KALAISELVI	B.E	M.E.	ASST PROFESSOR
133	1-492711231	Ms.	K.	JASMINE	B.E.	M.E.	ASST PROFESSOR
134	1-719952236	Ms.	S	KRITHIKA	B.E	M.E	ASST PROFESSOR
135	1-720035352	Ms.	V	UMA MAHESWARI	B.E.	M.E.	ASST PROFESSOR
136	1-7368556327	Mr.	S.	BOOPATHY	B.E.	M.E.	ASST PROFESSOR
APPLIED ELECTRONICS							
137	1-424170733	Dr.		RANI THOTTUNGAL	B.E.	M.E.,Ph.D	PROFESSOR
138	1-424565179	Ms.	S	NAGARATHINAM	B.E	M.E	ASST PROFESSOR
COMMUNICATION SYSTEMS							
139	1-2292799192	Dr.	M	BHARATHI	B.E.	M.E.,Ph.D	PROFESSOR
140	1-424565175	Dr.	M	ALAGUMEENAAKSHI	B.E	M.E.,Ph.D	ASSO.PROFESSOR
141	1-424564997	Ms.	K	THILAGAVATHI	B.E	M.E	ASST PROFESSOR
COMPUTER SCIENCE AND ENGINEERING							
142	1-427615449	Dr.	P	DEVAKI	B.E.	M.S, M.E.,Ph.D	PROFESSOR


S.N	AICTE ID	Name of the faculty			Qualification		Exact Designation
143	1-429494085	Dr.	L	LATHA	B.E.	M.E.,Ph.D	PROFESSOR
144	1-423858529	Dr.	K.R	BASKARAN	B.E.	M.S., M.E.,Ph.D	PROFESSOR
145	1-423858731	Dr.	N	SUGANTHI	B.E	M.E.,Ph.D	PROFESSOR
146	1-423858735	Dr.	J	CYNTHIA	B.E	M.E.,Ph.D	PROFESSOR
147	1-423858803	Dr.	E.A.	VIMAL	B.E	M.E.,Ph.D	ASSO.PROFESSOR
148	1-429494213	Dr.	S	RAJINI	B.E.	M.S.,Ph.D	ASSO.PROFESSOR
149	1-429768773	Dr.	V.P.	SUMATHI	B.SC.	M.E. MCA. M.PHIL.,Ph.D	ASSO.PROFESSOR
150	1-1421263183	Ms.	S	NITHYA ROOPA	B.E	M.E	ASST PROFESSOR
151	1-1433603203	Ms.	D	ASWINI	B.E	M.E	ASST PROFESSOR
152	1-1434997423	Mr.	V	SENTHIL KUMAR	B.E.	M.E.	ASST PROFESSOR
153	1-1434997503	Ms.	X	FRANCIS JENCY	B.E	M.E	ASST PROFESSOR
154	1-1434997668	Mr.	G	KANAGARAJ	B.TECH	M.E	ASST PROFESSOR
155	1-1434997763	Ms.	S	UMA MAHESWARI	B.TECH.	M.E	ASST PROFESSOR
156	1-2190077670	Ms.	D	YAMUNATHANGAM	B.E.	M.E	ASST PROFESSOR
157	1-2293874373	Ms.	N	JEBA	BE	M.E.	ASST PROFESSOR
158	1-2293929579	Mr.	R	KIRUBAKARAN	B.E.	M.E.	ASST PROFESSOR
159	1-2293929784	Ms.	S.J	SYED ALI FATHIMA	B.E.	M.E.	ASST PROFESSOR
160	1-3174945476	Mr.	U	THIRUVAAZHI	B.E.	M.E.	ASST PROFESSOR
161	1-3175030891	Mrs.	C	BHARATHI PRIYA	B.E.	M.TECH.	ASST PROFESSOR
162	1-3545561722	Ms.	V	SUDHA	B.E	M.E	ASST PROFESSOR
163	1-722558212	Mr.	SP	SIDDIQUE IBRAHIM	B.E	M.E	ASST PROFESSOR
164	1-722568811	Ms.	D	SATHYA	B.E.	M.E.	ASST PROFESSOR
INFORMATION SCIENCE AND ENGINEERING							
165	1-429494081	Dr.	D	CHANDRAKALA	B.E.	M.E.,Ph.D	PROFESSOR
166	1-2293929574	Dr.	M	SUGUNA	B.E.	M.E.,Ph.D	ASSO.PROFESSOR
167	1-2293874379	Ms.	K	SARANYA	BE	M.E.	ASST PROFESSOR
168	1-2293929789	Ms.	G	SHOBANA	B.E.	M.E.	ASST PROFESSOR
169	1-2693001183	Ms.	R	KALAISELVI	BE	ME	ASST PROFESSOR
170	1-7384613448	Dr.	N	VENKATESAN			ASST PROFESSOR
INFORMATION TECHNOLOGY							
171	1-429494089	Dr.	V	VANITHA	B.E.	M.E.,Ph.D	PROFESSOR
172	1-2185690465	Dr.	V	VIJILESH	BSC,	ME.,Ph.D	ASSO.PROFESSOR
173	1-2643543565	Dr.	M	ALAMELU	BE	M.E.,Ph.D	ASSO.PROFESSOR
174	1-2190077678	Dr.	G S	NANDAKUMAR	B.E	M.E.,Ph.D	ASSO.PROFESSOR
175	1-423858807	Ms.	S	SATHYAVATHI	B.E	M.E	ASST PROFESSOR
176	1-423858921	Ms.	P	SHENBAGAM	B.E	M.E.	ASST PROFESSOR
177	1-423858929	Mr.	S	KANAGARAJ	B.E	M.E	ASST PROFESSOR
178	1-423858973	Ms.	G	PREMA AROKIA MARY	B.E	M.E	ASST PROFESSOR
179	1-2185690493	Mr.	A	SURESH	BTECH	MTECH	ASST PROFESSOR
180	1-2643543403	Mr.	L	HARI PRASATH	B.TECH	M.TECH(IT)	ASST PROFESSOR
181	1-2643602426	Ms.	M.N	SAROJA	B.E	M.E	ASST PROFESSOR
DATA SCIENCES							
182	1-423858603	Dr.	N	RAJATHI	B.E	M.E.,Ph.D	PROFESSOR
183	1-7384281901	Dr.	N	THIRUMAL	B.E.	M.S., Ph.D.	ASSO.PROFESSOR
184	1-423858925	Ms.	S	KAVITHA	B.E	M.E	ASST PROFESSOR
TEXTILE TECHNOLOGY							
185	1-1473296085	Dr.	M	SARAVANAN	B.TECH	M.TECH. PH.D.	PROFESSOR
186	1-1443623593	Dr.	V	RAMESH BABU	B.TECH	M.S.,Ph.D	ASSO.PROFESSOR
187	1-1473296085	Mr.	M	SARAVANAN	B.TECH.	M.TECH.	ASST PROFESSOR
188	1-2656473053	Ms.	R	SUKANYADEVI	B.TECH	M.TECH	ASST PROFESSOR
189	1-431049807	Dr.	M	DHINAKARAN	B.TECH	M.TECH.,Ph.D	ASSO.PROFESSOR
190	1-431050023	Mr.	P.	SIVAKUMAR	B.TECH	M.TECH	ASST PROFESSOR
191	1-431050027	Mr.	P	CHANDRASEKARAN	B.TECH	M.TECH	ASST PROFESSOR

S.N	AICTE ID	Name of the faculty			Qualification		Exact Designation
192	1-431050247	Mr.	S.	NATARAJAN	B.TECH	M.TECH	ASST PROFESSOR
193	1-729829480	Mr.	S	ARIHARASUDHAN	B. TECH	M. TECH (TT)	ASST PROFESSOR
MASTERS OF TECHNOLOGY MANAGEMENT							
194	1-430163515	Dr.	K	THANGAMANI	B.TECH	M.TECH.,Ph.D	PROFESSOR
195	1-431049949	Dr.	S.	SUNDARESAN	B.TECH	M.TECH.,Ph.D	ASSO.PROFESSOR
196	1-431050189	Mr.	P.	THANGESWARAN	B.TECH	M.TECH	ASST PROFESSOR
MECHATRONICS ENGINEERING							
197	1-3174639347	Dr.	R	VENKATESAN	B.E.	M.E.,Ph.D	PROFESSOR
198	1-423273359	Dr.	A	VASUKI	B.E	M.E.,Ph.D	PROFESSOR
199	1-3545561280	Dr.	M	SARAVANA MOHAN	B.E	M.E.,Ph.D	ASSO.PROFESSOR
200	1-425511343	Dr.	K	AKILA	B.E	M.E.,Ph.D	ASSO.PROFESSOR
201	1-1415697743	Mr.	P	MAGUDAPATHI	BE	ME	ASST PROFESSOR
202	1-2185690525	Mr.	P	ANUSH	BE	ME	ASST PROFESSOR
203	1-2185690529	Mr.	K	MURUGESAN	BE	ME	ASST PROFESSOR
204	1-2285087703	Mr.	J	SIVAGURU	B.E.	M.E.	ASST PROFESSOR
205	1-425543292	Mr.	T	SURESH	B.E	M.E	ASST PROFESSOR
206	1-425543300	Mr.	A	RAMKUMAR	B.E	M.E	ASST PROFESSOR
207	1-425742465	Dr.	B	SABITHA	B.E	M.E.,Ph.D	ASST PROFESSOR
208	1-721674823	Mr.	R	RAFFIK	BE	ME	ASST PROFESSOR
209	1-721674827	Mr.	R	SARAVANAN	BE	ME	ASST PROFESSOR
FASHION TECHNOLOGY							
210	1-431049803	Dr.		BHAARATHI DHURAI	B.TECH	M.TECH.,Ph.D	PROFESSOR
211	1-433694633	Dr.	R	SHANTHI	B.SC.	M.SC.,Ph.D	ASSO.PROFESSOR
212	1-433869065	Dr.	G	RAJ KUMAR	B.TECH.	M.TECH.,Ph.D	ASSO.PROFESSOR
213	1-433869069	Dr.	V	KRISHNAVENI	B.SC	M.SC.,Ph.D	ASSO.PROFESSOR
214	1-431050243	Mr.	A	ARUNRAJ	B.TECH	M.TECH	ASST PROFESSOR
215	1-433869061	Mrs.	S	KAVITHA	B.TECH.	M.TECH.	ASST PROFESSOR
216	1-435413048	Mr.	S	CHANDRA KUMAR	B.SC.	M.F.A.	ASST PROFESSOR
217	1-492710745	Mr.	K.	PRABU	B.TECH.	M.TECH.	ASST PROFESSOR
218	1-492710749	Mr.	R	VARADARAJU	B.TECH.	M.TECH.	ASST PROFESSOR
APPAREL TECHNOLOGY							
219	1-435413246	Dr.	G.	RAMAKRISHNAN	B.TECH	M.TECH.,Ph.D	PROFESSOR
220	1-433694279	Dr.	C.S	SENTTHIL KUMAR	B.TECH.	M.TECH.,Ph.D	ASSO.PROFESSOR
221	1-2288746763	Mr.	A	THAMBIDURAI	B.TECH.	M.TECH.	ASST PROFESSOR
BIOTECHNOLOGY							
222	1-421094335	Dr.	P	RAMALINGAM	B.SC	M.TECH., M.SC.,Ph.D	PROFESSOR
223	1-421184641	Dr.	N	SARASWATHY	B.SC	M.SC.,Ph.D	PROFESSOR
224	1-421094331	Dr.	R	BASKAR	B.SC	M.SC. M.PHIL.,Ph.D	ASSO.PROFESSOR
225	1-421184645	Dr.	R	VINO HAR STEPHEN	B.SC	M.SC.,Ph.D	ASSO.PROFESSOR
226	1-421184649	Dr.	K	KUMARESAN	B.SC	M.SC.,Ph.D	ASSO.PROFESSOR
227	1-421184921	Dr.	M	SHANMUGAPRAKASH	B.TECH	M.TECH.,Ph.D	ASSO.PROFESSOR
228	1-2380851632	Dr.	A	THIRUMURUGAN	B.SC.	M.TECH., M.SC.,Ph.D	ASST PROFESSOR
229	1-3175853440	Dr.	K	RAM	B.TECH.	M.TECH.,Ph.D	ASST PROFESSOR
230	1-3175943770	Dr.	N	SIVARAJASEKAR	B.TECH.	M.TECH.,Ph.D	ASST PROFESSOR
231	1-3185556585	Ms.	V	VEERA BHUVANESHWARI	B.TECH.	M.TECH.	ASST PROFESSOR
232	1-3545079802	Dr.	K	KUMARAVEL	B.TECH	M.TECH.,Ph.D	ASST PROFESSOR
233	1-421184777	Dr.	T	SATHISH KUMAR	B.SC	M.SC.,Ph.D	ASST PROFESSOR
234	1-421439351	Mr.	D.R	MANIMARAN	B.E	M.E	ASST PROFESSOR
235	1-422426561	Dr.	S	NITHYAPRIYA	B.E.,	M.E.,Ph.D	ASST PROFESSOR
236	1-422450641	Mr.	P	MUTHUKUMARAN	B.SC	M.TECH	ASST PROFESSOR
ELECTRONICS & INSTRUMENTATION ENGINEERING							
237	1-2188630892	Dr.	M	EZHILARASI	BE	ME.,Ph.D	PROFESSOR

S.N	AICTE ID	Name of the faculty			Qualification		Exact Designation
238	1-3737816540	Dr.	K.K	ANILKUMAR	BE	ME.,Ph.D	PROFESSOR
239	1-423213441	Mr.	S	GOVINDARAJU	B.E.	M.E	PROFESSOR
240	1-4256910503	Dr.	P.S	MAYURAPPRIYAN	BE	ME.,Ph.D	PROFESSOR
241	1-3174945396	Mr.	M.V.	UMESH	B.E.	M.TECH.	ASSO.PROFESSOR
242	1-425995025	Dr.	V	DINESHKUMAR	B.E	M.E.,Ph.D	ASSO.PROFESSOR
243	1-2188759315	Mr.	M	SARAVANABALAJI	B.E.	M.E.	ASST PROFESSOR
244	1-3175030657	Mr.	S	SARAVANAKUMAR	B.E.	M.E.	ASST PROFESSOR
245	1-425995029	Mrs.	I	JEYADAI SY	B.E	M.E	ASST PROFESSOR
246	1-425995291	Mr.	V	ATHAPPAN	B.E	M.E	ASST PROFESSOR
247	1-4432739114	Mr.	S	RANGANATHAN	B.E	M.TECH	ASST PROFESSOR
248	1-493004281	Mr.	E	MUTHURAMALINGAM	B.E.	M.TECH.	ASST PROFESSOR
249	1-720614002	Ms.	V	MANIMEKALAI	B.E	M.E	ASST PROFESSOR
AERONAUTICAL ENGINEERING							
250	1-3545561730	Dr.	K	SUNDARARAJ	B.E	M.E.,Ph.D	PROFESSOR
251	1-434093122	Dr.	VR	SANAL KUMAR	B.TECH	M.TECH.,Ph.D	PROFESSOR
252	1-731408912	Dr.	P.S	PREMKUMAR	B.E.	M.S.,Ph.D	ASSO.PROFESSOR
253	1-1419048214	Mr.	S	SENTHIL KUMAR	B.E	M.E	ASST PROFESSOR
254	1-1419048219	Mr.	K	NAVEENKUMAR	B.E	M.E	ASST PROFESSOR
255	1-2289196129	Mr.	G	RAJ KUMAR	BE	ME	ASST PROFESSOR
256	1-2289196154	Mr.	S	MUTHU KUMAR	BE	M.TECH	ASST PROFESSOR
257	1-2289196159	Mr.	R	VIJAYANANDH	BE	ME	ASST PROFESSOR
258	1-3544699595	Mr.	K	BALAJI	B.E	M.E	ASST PROFESSOR
259	1-3544992024	Ms.	S	KIRUTHIKA	B.E	M.E	ASST PROFESSOR
260	1-431248651	Mr.	M	SENTHIL KUMAR	B.TECH	M.E	ASST PROFESSOR
261	1-434093398	Mr.	R	ARUN KUMAR	B.E.	M.E.	ASST PROFESSOR
262	1-434093592	Mr.	J	DARSHAN KUMAR	B.E.	M.TECH.	ASST PROFESSOR
263	1-731498717	Mr.	R	ARULPRAKASH	B.E	M.E	ASST PROFESSOR
AUTOMOBILE ENGINEERING							
264	1-1419047449	Mr.	C	VASANTHARAJ	B.TECH	M.TECH	PROFESSOR
265	1-2291575324	Dr.	S	JOHN ALEXIS	B.E.	M.E.,Ph.D	PROFESSOR
266	1-2291575089	Mr.	S	SIVAKUMAR	B.TECH.	ME	ASSO.PROFESSOR
267	1-2291575154	Dr.	G	THENMOZHI	BE	ME.,Ph.D	ASSO.PROFESSOR
268	1-1433414333	Mr.	T	KARTHIK	B.E.	M.E.	ASST PROFESSOR
269	1-1473295524	Mr.	J.D.	ANDREW PON ABRAHAM	B.E.	M.E.	ASST PROFESSOR
270	1-2291575083	Mr.	J	SAIGANESH	BE	ME	ASST PROFESSOR
271	1-2331857173	Mr.	S	SATISH	B.E.	M.E.	ASST PROFESSOR
272	1-2691309333	Mr.	R	KISHORE	BE	ME	ASST PROFESSOR
273	1-2692716493	Mr.	G	RAJKUMAR	B.TECH	M.TECH	ASST PROFESSOR
274	1-3175187025	Mr.	C	NAVEEN KUMAR	B.E.	M.SC.	ASST PROFESSOR
275	1-3544699421	Mr.	B	ARUN	B.E	M.E	ASST PROFESSOR
276	1-3545388623	Mr.	A	PRABHAKARAN	B.E	M.E	ASST PROFESSOR
277	1-3767980544	Dr.	S	MOHANKUMAR	BE	ME.,Ph.D	ASST PROFESSOR
MASTERS IN COMPUTER APPLICATIONS							
278	1-426121911	Dr.	V	GEETHA	B.SC.	M.C.A., M.PHIL.,Ph.D	PROFESSOR
279	1-2297857201	Dr.	J	VIJAY PRAKASH	B.A.	M.COM., MBA.,Ph.D	ASSO.PROFESSOR
280	1-426121997	Dr.	M	MANIKANTAN	B.SC.	M.C.A., M.PHIL.,Ph.D	ASSO.PROFESSOR
281	1-1421094810	Dr.	L	DHANABAL	B.SC	MCA,Ph.D	ASST PROFESSOR
282	1-1435380884	Mrs.	M	AMALA JAYANTHI	B.SC	M.C.A., M.PHIL	ASST PROFESSOR
283	1-2185690501	Dr.	W	JAISINGH	B.SC.,	MCA,Ph.D	ASST PROFESSOR
284	1-2185690505	Mr.	C	RAMACHANDRAN	B.SC.	MCA	ASST PROFESSOR
285	1-426121915	Mr.	S	HAMEED IBRAHIM	B.SC	M.C.A.	ASST PROFESSOR
286	1-426121919	Dr.	R.K.	KAVITHA	B.SC.	M.C.A., M.PHIL.,Ph.D	ASST PROFESSOR
287	1-426121993	Dr.	P	PARAMESWARI	B.SC.	M.C.A., M.PHIL.,Ph.D	ASST PROFESSOR

S.N	AICTE ID	Name of the faculty			Qualification		Exact Designation
288	1-426122121	Dr.	C	RAJAN KRUPA	B.SC.	M.C.A.,Ph.D	ASST PROFESSOR
289	1-426122223	Mr.	N	JAYAKANTHAN	B.SC	M.C.A., M.PHIL.	ASST PROFESSOR
290	1-426122227	Mrs.	V	JALAJA JAYALAKSHMI	B.SC.	M.C.A.	ASST PROFESSOR
291	1-426122345	Mrs.	M.C.S.	GEETHA	B.COM.	M.C.A., M.PHIL.	ASST PROFESSOR
MASTERS IN BUSINESS ADMINISTRATION							
292	1-433742551	Dr.	V. R.	NEDUNCHEZHIAN	B.COM	M.COM., MBA.,Ph.D	PROFESSOR
293	1-1419304479	Dr.	V	KANNAN	BE	MBA.,Ph.D	PROFESSOR
294	1-730508572	Dr.		MARY CHERIAN	B.SC.	MBA.,Ph.D	PROFESSOR
295	1-730508962	Dr.	S	SWAMINATHAN	B.COM	MBA.,Ph.D	PROFESSOR
296	1-7383779080	Dr.	V.	SHRIPRIA	B.Com.	MBA, Ph.D.	PROFESSOR
297	1-2321845773	Dr.	S	JAISANKAR	BE	MBA.,Ph.D	ASSO.PROFESSOR
298	1-433742817	Dr.	V	KAARTHIKHEYAN	B.B.M.	M.COM., MBA.,Ph.D	ASSO.PROFESSOR
299	1-433903099	Dr.	S	SANGEETHA	B.B.M.	M.B.A., M.PHIL.,Ph.D	ASSO.PROFESSOR
300	1-730508576	Dr.	M	KIRUPA PRIYADARSINI	BBM	MBA.,Ph.D	ASSO.PROFESSOR
301	1-730508580	Dr.	R	VINAYAGASUNDARAM	BE	MBA.,Ph.D	ASSO.PROFESSOR
302	1-1419304473	Dr.	B	POONGODI	BSC	MBA.,Ph.D	ASST PROFESSOR
303	1-1475704065	Mr.	N.	SENTHAMARAIKANNAN	B.SC.	MBA	ASST PROFESSOR
304	1-2185690537	Dr.	P	MOHANAMANI	B.COM	MBA.,Ph.D	ASST PROFESSOR
305	1-2185690541	Ms.	A	LATHA	BSC	MBA	ASST PROFESSOR
306	1-2321758383	Dr.	P	NALINI	BBM	MBA.,Ph.D	ASST PROFESSOR
307	1-730508738	Mrs.	M	DEEPA	BBM	MBA	ASST PROFESSOR
308	1-7383778928	Dr.	D	SUSANA	B.Tech.	MBA	ASST PROFESSOR
309	1-7384020516	Mr.		SANJIV SRINIVASAN	B.Sc.	MBA	ASST PROFESSOR
Science & Humanities - Mathematics							
310	1-426112009	Dr.	T	ARUNACHALAM	B.SC	M.PHIL, M.SC.,Ph.D	PROFESSOR
311	1-426112083	Dr.	A	SANTHA	B.SC	M.PHIL, M.SC.,Ph.D	ASSO.PROFESSOR
312	1-426112211	Dr.	R	MARUDHACHALAM	B.SC	M.PHIL, M.SC.,Ph.D	ASSO.PROFESSOR
313	1-1435088375	Mrs.	SR	SARATHA	B.SC	M.PHIL,M.SC	ASST PROFESSOR
314	1-1435381005	Ms.	J	DHIVYA	B.SC	M.SC,M.PHIL,	ASST PROFESSOR
315	1-2187482612	Ms.	K	MAHESWARI	B.SC	M.SC	ASST PROFESSOR
316	1-2187482616	Dr.	A	EZHILARASI	B.SC	M.SC.,Ph.D	ASST PROFESSOR
317	1-2689520983	Ms.	S	ARUNADEVI	B.SC	M.SC	ASST PROFESSOR
318	1-3175944223	Dr.		VIJETA IYER	B.SC.	M.SC.,Ph.D	ASST PROFESSOR
319	1-3544688224	Dr.	N	ANITHA	B.SC	M.SC.,Ph.D	ASST PROFESSOR
320	1-4253830994	Dr.	N	KALPANA	B.SC	M.SC.,M.PHIL.,Ph.D	ASST PROFESSOR
321	1-4253859104	Mrs.	M	PRINCY FLORA	B.SC.	M.SC. (AM), M.PHIL.	ASST PROFESSOR
322	1-426112215	Ms.	S	SIVASAKTHI	B.SC	M.PHIL, M.SC	ASST PROFESSOR
323	1-426112219	Dr.	S	SELVANAYAKI	B.SC	M.PHIL, M.SC.,Ph.D	ASST PROFESSOR
324	1-426112450	Ms.	R.R.	MYTHILI	B.SC	M.PHIL, M.SC	ASST PROFESSOR
325	1-426977989	Dr.	K	MEENA	B.SC	M.PHIL, M.SC.,Ph.D	ASST PROFESSOR
326	1-426978113	Dr.	R	KRISHNA MOORTHY	B.SC	M.PHIL, M.SC.,Ph.D	ASST PROFESSOR
327	1-426978211	Dr.	J	RAJASINGH	B.SC	M.PHIL, M.SC.,Ph.D	ASST PROFESSOR
328	1-426978313	Ms.	D	ARIVUOLI	B.SC	M.PHIL, M.SC	ASST PROFESSOR
329	1-426978317	Mr.	R	RAJKUMAR	B.SC	M.PHIL, M.SC	ASST PROFESSOR
330	1-493093773	Ms.	K.P.	THILAGAVATHY	B.SC.	M.SC., M.PHIL.	ASST PROFESSOR
331	1-499198217	Ms.	A	SHANMUGHAVADIVU	B.SC.	M.SC. M.PHIL.	ASST PROFESSOR
332	1-499198541	Ms.	R	ANBHUVIZHI	B.SC.	M.SC. M.PHIL.	ASST PROFESSOR
333	1-426977985	Ms.	S	MEENA PRIYADARSHINI	B.SC	M.PHIL, M.SC	ASST PROFESSOR
Science & Humanities - Physics							
334	1-1526182836	Mrs.	S.	NITHYA	B.SC.	M.SC., M.PHIL.	ASST PROFESSOR
335	1-2187482628	Ms.	E	SHOBHANA	B.SC	M.SC.	ASST PROFESSOR
336	1-2730599913	Mr.	R	PRAKASAM	B.SC.	M.SC. M.PHIL.	ASST PROFESSOR
337	1-3182035357	Dr.	R	KANNAN	B.SC.	M.SC.,Ph.D	ASST PROFESSOR

S.N	AICTE ID	Name of the faculty			Qualification		Exact Designation
338	1-3182976444	Dr.	H	ARUL	B.SC.	M.SC.,Ph.D	ASST PROFESSOR
339	1-425459305	Dr.	R	SENGODAN	B.SC.	M.SC., M.PHIL.,Ph.D	ASST PROFESSOR
340	1-425459309	Dr.	R	BALAMURUGAN	B.SC	M.PHIL, M.SC.,Ph.D	ASST PROFESSOR
341	1-425676623	Mr.	R.G.	SETHURAMAN	B.SC	M.PHIL, M.SC	ASST PROFESSOR
342	1-425676627	Mr.	AR	ARUL	B.SC.	M.SC M.PHIL	ASST PROFESSOR
343	1-425676931	Ms.	K	RATHINA	B.SC.	M.SC. M.PHIL	ASST PROFESSOR
344	1-426111695	Mr.	S	INBAKUMAR	B.SC	M.SC,M.PHIL	ASST PROFESSOR
345	1-492784035	Dr.	K.	SUGANDHI	B.SC.	M.SC. M.PHIL.,Ph.D	ASST PROFESSOR
346	1-723044282	Mrs.	M	SELVAMBIKAI	B.SC	M.SC, M.PHIL, M.TECH	ASST PROFESSOR
Science & Humanities - Chemistry							
347	1-426111835	Dr.	U.S.	SHOBA	B.SC	M.SC.,Ph.D	ASSO.PROFESSOR
348	1-1437175287	Mrs.	K	RATHIDEVI	B.SC	M.SC,M.PHIL	ASST PROFESSOR
349	1-1526119046	Dr.	K	KALAPRIYA	B.SC.	M.SC.,Ph.D	ASST PROFESSOR
350	1-2187482632	Dr.	K	SAMPATH	B.SC	M.SC.,Ph.D	ASST PROFESSOR
351	1-2187482640	Dr.	S	DANIEL	B.SC.	M.SC.,Ph.D	ASST PROFESSOR
352	1-2693031573	Dr.	S	JYOTHI	B.SC	M.SC.,Ph.D	ASST PROFESSOR
353	1-3182976279	Dr.	R	ASHOKKUMAR	B.SC.	M.SC. M.PHIL.,Ph.D	ASST PROFESSOR
354	1-426111839	Mr.	R	MAYILDURAI	B.SC	M.PHIL, M.SC	ASST PROFESSOR
355	1-426111913	Mr.	R	SIVAHARI	B.SC	M.PHIL, M.SC	ASST PROFESSOR
356	1-426111917	Dr.	R	MAHALAKSHMI	B.SC	M.PHIL, M.SC.,Ph.D	ASST PROFESSOR
357	1-426112001	Mr.	K	KARTHIK	B.SC	M.PHIL, M.SC	ASST PROFESSOR
358	1-498754151	Ms.	D	JALAJAA	B.SC.	M.SC., M.PHIL.,	ASST PROFESSOR
359	1-492784031	Dr.	K.R.	ARANGANAYAGAM	B.SC.	M.SC. M.PHIL.,Ph.D	ASST PROFESSOR
Science & Humanities - English							
360	1-3592794813	Dr.		HYACINTH PINK	B.A.	M.A., M.PHIL.,Ph.D	PROFESSOR
361	1-1437175282	Dr.	S.G	MOHANRAJ	B.A	M.A,M.PHIL.,Ph.D	ASST PROFESSOR
362	1-2187482624	Dr.	S	SREEJANA	B.A	M.A.,Ph.D	ASST PROFESSOR
363	1-2335910950	Dr.	R.	HEMA	B.A.	M.A., M.PHIL.,Ph.D	ASST PROFESSOR
364	1-3545079810	Dr.	A S	MYTHILI	B.SC	M.SC.,Ph.D	ASST PROFESSOR
365	1-426111707	Mr.	B	AROKIA LAWRENCE VIJAY	B.A	M.PHIL, M.A	ASST PROFESSOR
366	1-426111731	Mr.	M	ANITH PREM MALARAVAN	B.A	M.PHIL, M.A	ASST PROFESSOR
367	1-426111735	Dr.	J	SRIKALA	B.A	M.PHIL, M.A.,Ph.D	ASST PROFESSOR
368	1-426111767	Dr.	C	TISSAA TONY	B.A	M.PHIL, M.A.,Ph.D	ASST PROFESSOR
369	1-492711235	Ms.	V	ABIRAMI	B.SC.,	M.A., M.PHIL.	ASST PROFESSOR
370	1-2500018442	Mrs.	M	NIRMALA DEVI	BA, B.PED.	M.P.ED., M.PHIL.,	ASST PROFESSOR

8	Profile of Pricipal	
Name	Dr.J.Srinivasan	
Date of Birth	06-12-1961	
Unique ID	1-433694271	
Education Qualification	B.Tech. M.Tech.Ph.D.	
Work Experience	Teaching	21
	Research	11
	Industry	4
	others	--
Area of Specialization	Textile Technolgy	
Course taught at Diploma /Post Diploma / Under Graduate / Post Graduate Diploma Level	UG & PG level	
Research guidance	No.of paper published in National / International Journals / Conference	111
	Master	20
	Ph.D	5
Project Carried out	15	
Patents	2	
Technology Transfer	2	
Research Publications	National Journal – 20, International Journals -24 National Conference – 44, International Conference -23	
No.of Books published with details	2	

9. Fee

Fees in INR (per annum)

Course	NBA Status	2019-20	2018-19	2017-18	2016-17	2015-16
B.E./ B.Tech.	Accredited	55,000	55,000	55,000	45,000	45,000
	Non-Accredited	50,000	50,000	50,000	40,000	40,000
	Management quota (Accredited)	1,25,000	87,000	87,000	70,000	70,000
	Management quota (Non-Accredited)	1.20,000	85,000	85,000	70,000	70,000
M.E./M.Tech.		50,000	50,000	50,000	50,000	50,000
M.C.A.		35,000	35,000	35,000	30,000	30,000
M.B.A.		35,000	35,000	35,000	30,000	30,000
Number of Fee Waivers offered			1	5	11	4
Admission Calendar		May to July	May to July	May to July	May to July	May to July

10	Admission
-----------	------------------

		2019-20	2018-19	2017-18	2016-17
Number of seats sanctioned with the year of approval		1260	1260	1200	1200
Number of students admitted under various categories each year in the last three years	Govt. Quota	684	710	647	625
	Management / Lapsed Quota	399	482	489	500
	NRI	10	11	0	0
	PMSSS (J&K)	6	3	6	0
Number of applications received for admission under Management/Lapsed Quota		440	482	489	502
Number of students admitted under Management / Lapsed Quota		410	482	489	500

11. Admission Procedure

12. Criteria and Weightages for Admission

13. List of Applicants

14. Results of Admission Under Management seats/Vacant seats

15.01 Information of Infrastructure and other Resources Available

	Nos (Qty)	Average Area in Sqm.
Number of class rooms and size of each	39	100.00
	51	80.00
	20	40.00
Number of Tutorial rooms and size of each	13	46.00
	5	85.00
Number of Laboratories and size of each	77	161.87
	57	81.43
Number of Workshop and size of each	1	70.23
	3	94.98
Number of class Drawing Halls with capacity of each	3	192.46
Number of computer centres with capacity of each	2	273.09
Number of Language Laboratories with capacity of each	2	138.01
Central Examination Facility, Number of rooms and capacity of each	1	236.25
	4	30.00
Barrier Free Built Environment for disabled and elderly persons	Available	
Occupancy Certificate	Available	
Fire and Safety Certificate	Available	
Hostel Facilities	Available in the campus for 2,206 Boys and 1,276 Girls	

15.02 Library

Number of Library Books / Titles / Journals available (Program wise)

Programme	Number of Titles	Number of Volumes	Number of Journals Published in India	Number of Journals Published at Abroad	Number of eBook Titles	Number of eBook Volumes
MCA	6,528	13,644	6	8	1,702	2,251
MANAGEMENT	5,556	9,709	6	21	2,413	2,876
ENGINEERING AND TECHNOLOGY	43,844	84,795	162	136	2,897	4,038

Details of online National / International Journal subscribed

ASCE	GIST, NEW DELHI
ASME	Global Information Systems Pvt. Ltd., Haryana
EBSCO	EBSCO Information Services India Private Ltd., NEW DELHI
ELSEVIER	Global Information Systems Pvt. Ltd., Haryana
IEEE	Global Information Systems Pvt. Ltd., Haryana
Springer	Global Information Systems Tech. Pvt. Ltd.
J-Gate	Informatics (India) Limited Bangalore

e – Library facilities

Digital Library with sufficient number of systems with e - books and e - Journals available in Central Library

15.03 Laboratory and Workshop

Name of the Laboratory	Lab / Major Equipments
AERONAUTICAL ENGINEERING	
AERO DESIGN AND ANALYSIS LAB	Embroidery Design & Punching Software Computerized Single Head Six Needle Embroidery Machine
AIRCRAFT STRUCTURES LAB	Statex Evenness Tester with hairiness attachment, Instron single column tensile testing machine
AIRCRAFT SYSTEMS LAB	SPSS (Software for statistics)
AIRFRAME & AERO ENGINE MAINTENANCE LAB	41 WORK STATIONS
AVIONICS LAB	HP Elite 7100MT, Intel Core i5, 4 GB RAM, 320 GB HDD 19" TFT Monitor
HIGH SPEED AERODYNAMICS LAB	UTM, POLARISCOPE, COMPOSITE MANUFACTURING SET UP
LOW SPEED AERODYNAMICS LAB	AIRCRAFT PNEUMATIC SYSTEM, FUEL SYSTEM
PROPULSION LAB	JET ENGINE CUT SECTION MODEL
AUTOMOBILE ENGINEERING	
AUTOMOTIVE CHASIS LAB	Merritt Universal Machine, Sewing Machine Motor, Union Special 3950QV, 3 Needle Chain Stitch Flat loc
AUTOMOTIVE ELECTRICAL AND ELECTRONICS LABORATORY	Course Length Tester, "Spectro" Colour Matching Cabinet, Flat Knitting machine, Eureka Cloth
AUTOMOTIVE SYSTEMS LAB	Software for Fabric Design (Wonder Weaves) Software for Fabric Design (Wonder Weaves) Software
ENGINE COMPONENTS AND ASSEMBLY LABORATORY	LCV & Car Chassis, Suspension & Axle Braking Steering Sys, automatic trans. gear box, hydr brake
ENGINE PERFORMANCE AND EMISSION TESTING LAB	Auto Electrical test Bench for starter motor and alternator, Battery charger, SRM, PMSM motor, fuel cell
FUELS AND LUBRICANTS LABORATORY	Proteus simulation software, CAN protocol MSP 430, c200, Hercules Texas instruments, Personal Computers
TWO AND THREE WHEELER LABORATORY	MIL-STD-1553 DATA BUS AND ARINC 429 DATA BUS
VEHICLE DESIGN AND DYNAMICS LABORATORY	Hand operated coil winding machine, Transformer Oil testing machine, (AE Portable manual operated ty
VEHICLE MAINTENANCE LABORATORY	Siruba Single, Three, Five Thread Over Lock Machine, Brother Button hole & Button stitch m/c., Stitch
BIOTECHNOLOGY	
BIOCHEMISTRY & MICROBIOLOGY LAB	Oil Fired melting furnace, Welding & Stir casting m/c Foundry, Smithy, Carpentry & Fitting tools.
BIOINFORMATICS LAB	Bench Top Shaker, BoD incubator, UV-cabinet, UV-Vis. spectrometer, Ion Selective electrode.
BIOPROCESS LAB	Zenith, Intel core2 duo, 3.5 GB RAM, 300 GB HDD, Dell, Intel core2 duo, 3.5 GB RAM, 300GBHDD, printer
CELL BIOLOGY AND IMMUNOLOGY	Centrifugal extractor, Circulating Pump, High Speed Refricentrifuge, Peristaltic Pump, 50L Fermenter
CHEMICAL ENGINEERING LAB	ETAP-18 software, MATLAB 2017a, Dell computer systems, HP LV2011 Monitor and HP 280G1MT CPU
DOWNSTREAM PROCESSING	optiplex 3010 dell computer-10 optiplex 3020 dell computer-30 PLM User License, speed step
MAMMALIAN CELL CULTURE LAB	ProE (creo 1), AUTOCAD, ANSYS, MATLAB, CATIA-V6
MOLECULAR BIOLOGY AND GENETIC ENG. LAB	Ansys 16.20 systems
PLANT TISSUE CULTURE LAB	Computer Machine Core i7, HAAS Vertical Machining Centre, 3D laser scanning system, Portable CMM,
PROJECT AND RESEARCH LAB (MTECH LAB)	ELISA Reader, Euromex Microscope, Simplicity Ultra Pure Water System, Refrigerated Centrifuge

CIVIL ENGINEERING	
ADVANCE COMPUTING LAB	Computers, MSP 430 exp G2 Launch pad, C2000 Piccolo launch xl-F28027, TIVA launch Pad, CC3200 Wi-Fi
CIVIL COMPUTER LAB	Packed Bed Distillation, Steam Distillation, Simple Distillation, Photochemical Reactor, Ball Mill.
CONCRETE & HIGHWAY LAB	Cloud and pour point equipment, Spectrophotometer, conductivity meter, Potentiometer, Flame Photometer
ENVIRONMENTAL CHEMISTRY	STRAP-V8, STAAD Pro2004, CAMP-EX Software, NISA Software V12, primavera, Architectural des
ENVIRONMENTAL ENGG & RESEARCH LAB	Beesley balance, Counting glass, Thickness Tester, Weighing balance, GSM cutter, Quadrant balance
FLUID MECHANICS & MACHINERY LAB	HP PROBOOK, INTEL i5- 7200, 8 GB RAM
GEO SPATIAL ANALYSIS CENTER	Vector Network Analyzer, DC trainer, DSO, Antenna Training System, FM/AM Signa, Multipurpose Lab Sta
INSTRUMENTATION AND AIR QUALITY LAB	"AMD Athlon (Server) – 1 No, Pentium IV – 35 Nos, Acer Pentium IV – 14 Nos, AMD Athlon - 16 Nos
SOIL MECHANICAL LAB	COMPUTERS
STRENGTH OF MATERIALS LAB	HP PROBOOK, INTEL i5- 7200, 8GB RAM
STRUCTURAL TECHNOLOGY RESEARCH CENTRE	AIMIL moulds, Cone penetration test apparatus, Compaction testing machine, DUCTILITY MACHINE.
SURVEYING LAB	DSOS - 3 Nos, Modular Servo Mechanism with Accessories Compensating Networks Kit, Pressure Control
UNIT OPERATION LAB	HP prodesk 400G3 MT/Intel core i5-6500 6th Gen proc/16GB RAM/512GB SSD HDD/GT730 2GB GRAP CARD
COMPUTER SCIENCE AND ENGINEERING	
AI AND VR LAB	12 Clients+1 Server
CLOUD COMPUTING LAB	HP 280 G1, Intel Core i5, 4 GB RAM, 500 GB HDD 20" LCD Monitor, keyboard & Mouse
COMPUTING LAB	Cathode Ray Oscilloscope, Pulse Generator, Analog and Digital IC Trainer Kit, Digital IC Tester
DATA ANALYTICS AND CLOUD COMPUTING LAB	Acer PIV, Dax 24 port Switch, WiFi Router, Crimping tools, cables
DESIGN AND ANALYSIS OF ALGORITHMS LAB	UV-Vis Spectrometer, Ultra Filtration, Tabletop Fraction Collector, Sonicator, Rotary Flash evaporator
DIGITAL LAB	Computers, TMS 320C50 DSP Starter Kits, TMS320C6713 DSP Processor Kit and Code Composer Studio
MACHINE LEARNING LAB	Universal Governor, Dynamic Balancing M/C, VIB-Lab Apparatus, Whirling of Shaft Apparatus, CAM Analysis
MOBILE APP DEVELOPMENT LAB	Dual Power Supply, 3MHz Function Generator, Scientific Oscilloscope, Decade Box
PROGRAMMING LAB I	Universal Motor and RM, 3 Phase and 1 phase IM, DC Shunt Gen, 1 Phase and 3 Phase Transformers, 3 KW
PROGRAMMING LAB II	DC Shunt, Series, Compund Motor, DC Shunt Motor with Shunt Generator, DC Comp Motor with DC Com Gener
PROJECT LAB - I	CRO, Function Generator, Pulse Generator, Power Supply, DSO
PROTOTYPE DESIGN AND DEVELOPMENT LAB	Power supply, LCRQ Meter, Function Generator, Multimeter, DRB, DIB, DCB, Variable / Multi output Powe

ELECTRICAL AND ELECTRONICS ENGINEERING	
BASIC ELECTRICAL WORKSHOP	DSO- 5 Nos, 30V Dual power supply, Goodwill 3Mhz Function Generator
CAD & SIMULATION LAB (EEE)	Digital storage Oscilloscope, My Daq boards, Microprocessor kit, Microcontroller kit, Raspberry pi3
CONTROLS SYSTEM LAB	Digital IC Trainer Kit, Bench & Repair rework station low vold PS trainer, FM/AM Tranceiver,
ELECTRIC CIRCUITS LAB(EEE)	Xilinx FPGA, ARM kit,TMS320C50 based DSP trainer kit,Universal VLSI kit,Spartan – III,DSO
ELECTRICAL MACHINES LAB II	Cut Section Diesel and Petrol Engine, Cut Section pump assembly, workbench
ELECTRICAL MACHINES LAB-I	Engine dynometers DIESEL PETROL Gas analyser&Smoke meter,NOx analyser, single cylinder CRDI engine
ELECTRONIC DEVICES LAB(EEE)	CUSTOM ELECTRONICS KIT,
EMBEDDED SYSTEM LAB(EEE)	Pentium – IV Computer 2.4 GHZ , Intel Processor , 256 MB RAM , 40 GB Hard
INTEGRATED CIRCUITS LAB (EEE)	FLAME PHOTOMETER, SPECTROMETER, BOD INCUBATOR, MUFFLE FURNACE,COD DIGESTOR.
MEASUREMENTS AND INSTRUMENTATION LAB(EEE)	Spectro Photo Meter (odyssey), / DR 2500,Deep Freezer(Vertical),MIC Freezer, Aut.absorb spectrometer
PG RESEARCH LAB	Fashion Illustration Table, Digital SLR Camera,Digital Camera , Nikon Cool Pix 4600,Handy Cam,Nikon
POWER ELECTRONICS LAB	Microscope, Hot air oven, Soxhlet Apparatus, Viscometer, Bunsen burner, Weighing balance
RESEARCH LAB (EMBEDDED SYSTEMS)	Level Measurement, Calibration of Pressure Guage,Flow measurement, Pilot plant, Spectrophotometer,
ELECTRONICS AND COMMUNICATION ENGINEERING	
PG LAB - II	Computerized Kaplan, Pelton wheel turbine and Francis Turbine, Flume Apparatus
CENTRE OF EXCELLENCE TI LAB	Pneumatic Trainer/Study kit, Hydraulic trainer kit, ABB PLC, Electro Hydraulic , Siemens PLC Auto
COMMUNICATION SYSTEMS LAB	Fuel analysis, flash and fire point apparatus, Calorimeter, viscometer, Distillation,Range Apparatus
DIGITAL ELECTRONICS LAB (ECE)	Workstations, ArcGIS Master lab kit
DSP LAB	NI Embedded Boards(myRIO, sbRIO and cRIO) and supported by WSNs, ELVIS, PXIs and DTM Lab Equipment.
ELECTRONIC CIRCUITS LAB	Air Condition test rig, Thermal Conductivity apparatus, Inside tube apparatus.
ELECTRONIC DEVICES LAB	Shock Tube & Accessories
ELECTRONICS WORKSHOP	PLC realtime application trainer kit, Bottle Filling System using PLC and SCADA
LINEAR INTEGRATED CIRCUITS LAB	Atomic absorption spectrometer, Gas chromatography, RESPIRABLE DUST SAMPLAR, STACK MONITORING KIT,
MICROCONTROLLERS LAB	PC based temperature control system,vibration and sound level measuring equipment and FFT analyzer
MICROPROCESSOR LAB	Micro Controller Trainer Kit-LED & LCD, PC interface, DSO-12, 30Mhz,VGA Video Display
MICROWAVE LAB	Pressure,Temperature,Electrical calibration test benches
NETWORKS LAB	NI labVIEW academic site license, labVIEW software NIELVIS II CRT design bundle, multisim education
OPTICAL COMMUNICATION LAB	Single jersey circular knitting machine with positive feeders, Circular rib knitting machine, Hose k
PG LAB - I	Lathe
PROJECT LAB	Triple output Power Supply, Cathode Ray Oscilloscope, Function Generator.USB Oscilloscope,NI ELVIS
VLSI LAB	SUBSONIC WIND TUNNEL, SMOKE GENERATOR, WATER FLOW CHANNEL

ELECTRONICS AND INSTRUMENTATION ENGINEERING	
ELECTRONICS & MICROCONTROLLERS LAB	HP PROBOOK, INTEL i5 - 7200, 8 GB RAM
FIELD INSTRUMENTATION LAB	Laminar air flow, Inverted phase contrast florescent microscope, CO2 incubator
KCT-FLUKE CENTRE OF EXCELLENCE IN CALIBRATION	MAT LAB SOFTWARE AND MATHS TOOL BOX,
KCT-VIRTUAL INSTRUMENTATION ACADEMY	Wipro-30, TVS MSP 345 Champion -136 Col., Wipro Dot Matrix Printer(HQ1040+).
PROCESS DYNAMICS AND CONTROL LAB	NComputing thin client-30, Wipro Dot Matrix Printer(HQ1040+),
PROJECT (INDUSTRIAL ELECTRONICS) LAB	Measurement of iron loss using Maxwells bridge, Power measurement using current transformers
SENSORS AND TRANSDUCERS LAB	Hardness Tester, End Quench Apparatus and Microscope, Double Disc polisher
SIEMENS PLC AUTOMATION LAB	Profile projector, tool makers microscope, Electrical & Optical Comparator, CMM
YOKOGAWA CENTRE OF EXCELLENCE IN DISTRIBUTED CONTROL SYSTEMS	Process trainer, Compact DAQ
FASHION TECHNOLOGY	
ADVANCED GARMENT CONSTRUCTION LAB	Computer systems, AutoCAD 2020, STAAD PRO V8i, QGIS, ANSYS.
APPAREL MACHINERY LAB	8051 Micro controller and E-Block Deluxe PIC Micro starter pack, ARM 7, Interfacing Peripherals, 8051
APPAREL QUALITY EVALUATION LABORATORY	8085 Microprocessor, 8086 Microprocessor,
APPAREL RESEARCH LAB	MIC a/t Trainer kits, MIC Comp., MW power meter, DSO, X-Band a/t, VSG with SA, ADS, EMPro, MW Analyzer
BASIC GARMENT CONSTRUCTION LAB	DELL 3020 MT, Intel i5 processor 3.30GHz, 4 GB RAM, 500GB HDD, 18'5" TFT Monitor, Dell KB&MOUSE
FASHION ILLUSTRATION LABORATORY	Freeze Dryer, Gel Documentation system, Hybridization Oven, Thermal Cycler, RT-PCR system, nanodrop
PATTERN MAKING LABORATORY	Server-1, Clients-36, Projector & Printer. Network & Hardware Peripheral
RESOURCE CENTRE	7 Clients
INFORMATION TECHNOLOGY	
DATA SCIENCE LABORATORY	Computer, MATLAB, HFSS, Lab View
NETWORK LABORATORY	INTEL P-IV, 2.4 GHz/2GB DDR RAM, 333 SD RAM/80GB HDD, MSO, Solar street Lights
NETWORK SECURITY LABORATORY	Spectrometer, Traveling microscope, Torsional pendulum, Post office box, Carey foster bridge, Lee
ORACLE ACADEMY LABORATORY	Laminar Air flow, Bench Top Incubator cum Shaker, pH Meter, Electronic Weighing Balance
REAL TIME SYSTEMS LABORATORY	DSO, PWM Inverter, IPM, cyclo converter, IGBT 4Quadrant chopp, FPGA Controller, Power Analyzer, PQ logger
SOFTWARE ENGINEERING LABORATORY	Two tank Interacting system, Coupled Tank System Split range control system Ratio control Trainer Temp
WEB TECHNOLOGY LABORATORY	MILLING MACHINE, SHAPER, PLANNER
MANAGEMENT	
COMPUTER LAB	NCOMPUTING N-400 THINCLIENT With Dell Monitor, Keyboard and Mouse Sanyo projector
HARDWARE JUNCTION LAB	NCOMPUTING N-400 THINCLIENT With Dell Monitor, Keyboard and Mouse
MASTERS IN COMPUTER APPLICATIONS	
MCA LAB-I	PCB prototype machine, Welding machine, Mini Lathe Machine, HP Work station, Four Channel mixed sign
MCA LAB-II	Bipedal walking robot, servo stablizer 6KVA

MECHANICAL ENGINEERING	
BASIC WORKSHOP	All Quartz Double Distillation Unit, Revolutionary table high speed centrifuge, UV Spectrophotometer
CADD LAB	Workstation,Digital Signal Oscilloscope
CAE LAB	Dell Optiplex 3040 MT Specifications processor: Intel Core i5-4, Workstation DellPrecision 3620
CAM LAB	NOZZLE PRESSURE DISTRIBUTION AND PERFORMANCE TEST RIG, JET ENGINE CUT SECTION
DYNAMICS LAB	HP PROBOOK, INTEL i5,- 7200, 8 GB RAM
HEAT TRANSFER LAB	17 Clients, Micorprocessor kit, Interface components, Galileo Board, Rasperry-Pi
LATHE SHOP	Proteus Software (10 Users),PSIM,IAR Work Bench
METALLURGY LAB	Standing Hangers,Display Boards,See through cupboards,See through cupboards,Focus's Light,Table roun
METROLOGY LAB	ABB IRB 1410 Inustrial Robot with IRC5 controller, Robotstudio software NAO humanoid robot
PRODUCTION PROCESS LAB	Sensor Kit, Different types of senosr, V to I and I to V converter,capacitive pick upsensor,Hall ef
THERMAL ENGINEERING LAB	Simatic PLC ,Logo PLC, S71200,S71500 siemens PLC
WORK DESIGN LAB	36 Dell Vostro 3669, Printer, Speaker, Projector.
MECHATRONICS ENGINEERING	
FLUID POWER LAB	CBR apparatus, Triaxial test apparatus,Universal automatic compactor,SPT apparatus, Rotary drilling,
INDUSTRIAL AUTOMATION LAB	Simplex machine (LF 1400 model) with 24 spindles, Jenntex spinning machine with 48 spindles,
INSTRUMENTATION LAB	Universal testing machine, Torsion testing machine, Compression testing machine, Spring Testing mach
MICRO PROCESSOR AND MICRO CONTROLLER LAB	Rebound hamber, , Compression testing machine, Ultrasonic Concrete tester, RCPT, ACT, UTM,load frame
ON BOARD COMPUTING AND CYBERNETICS LAB	Total Station, LEICA DISTOMETER
PROJECT (MCE)LAB	UNIVERSAL TESTING MACHINE, COMPRESSION MOULDING MACHINE, FLAMMABILITY TESTER, CRITICAL OXYGEN INDEX.
ROBOTICS LAB	Lectra (module modaries, diamino, kaledo), Assyst bullmer, Colour matters
TEXTILE TECHNOLOGY	
ADVANCED TESTING LABORATORY	Soft –flow dyeing machine, yarn dyeing machine, Sample dyeing machine, Padding mangle, Perspirometer
ADVANCED TEXTILE CAD LABORATORY	Tensostat Junior,Ele trash,Air permeability Tester,Avery Weighing balance,Auto Burst,Burstin,Vision
CAD LABORATORY FOR UG	5 Gas Analyser, Smoke meter, Surface Tension meter,Morse Test rig
CLOTH ANALYSIS LABORATORY	Two/Three Wheeler Fork Assembly, Three Wheeler Gear Box, Braking system, Two Wheeler chassis dyno
FIBRE ANALYTICAL LAB	PHOTO REACTOR,MUFFLE FURNACE,DEEP FREEZER,FLOW METER,WATER SOFTENER,PERSALATIC PUMP,
KNITTING & GARMENT LABORATORY	Simulation Software,CAD/CAE Software,Personal Computer,MSC Adams,Car Sim,LS DYNO
SPINNING LABORATORY	3D Wheeler Aligner,Two post lift,Air Compressor,Tyre remover,wheel balancing,gas refilling
TECHNICAL TEXTILES LABORATORY	Xilinx/Spartan 200K, Xilinx ISE, Multisim 9, Virtex6,7, Altera Cyclone III, Cadence, Cypress PSoC4
TEXTILE CAD LABORATORY	Semi automatic loom,Automatic loom, 4x1 Drop box loom,Jacquard loom,Winding unit, Power unit AC.
TEXTILE CHEMICAL PROCESSING LABORATORY	10 Clients
TEXTILE TESTING LAB	BCA Trim Gym cycle (Ergo), Lux meter LX1102.
WEAVING LABORATORY	Yokowaga DCS,Four tank system ,conical tank, NI equipments, 50 systems

SCIENCE & HUMANITIES	
CHEMISTRY LAB	Computers, LAN Trainer kit, Data Communication kit, PDLA Software, Qualnet,
COMPUTER CENTRE II	Comsol software, autodesk, labview, python,Data acquisition hardware,pick kit in 3 circuit debugger
ENGINEERING CLINICS LAB	OFT Kit, Power Meter, OTDR Module, DSO 250 MHZ, SMF Characteristic setup, Optsim, Metrowand., Fibre
ENGLISH LAB	36 Dell Vostro 3669, Projector, Printer, Screen wall, speaker, Webcam, Headset.
MAT LAB	Male Dummy GR 48 Half, Male Dummy GR 52, Female Dummy US, Female Dummy Motorized Swatch Cutting Machi
PHYSICS LAB	Computers, MATLAB, CAD-FEKO, Netsim, HFSS

15.04 - Computing Facilities

Internet Bandwidth	256 MBPS
Number and configuration of system	2,350 systems Configuration consisting of Core2Duo, i3, i5, i7
Total number of system connected by LAN	2,350
Total Number of system connected by WAN	2,350
Major software package available	
System software	<ol style="list-style-type: none"> 1. WINDOWS FAMILY 2. LINUX- Centos 6.9 3. LINUX- UBUNTU
Major Application Software	<ol style="list-style-type: none"> 1. CLARITY S NET LANGUAGE LANGUAGE LAB 2. RATIONAL SUITE IT DEPT 3. ORACLE 9I 4. MACROMEDIA FLASH 5. LABVIEW 2011 50 USERS EIE 6. MULTISIM VER 1225 USERS 7. AUTOMATION STUDIO 5.610 USERS MECHATRONICS 8. ROBOTSTUDIO 50 USERS MECHATRONICS 9. BASIC STAMP UNLIMITED USERS MECHATRONICS 10. ALTAIR HYPERWORKS VER 11.0 CEAD 11. AUTODESK 12. AUTOCAD 13. I DEAS 14. ANSYS 16.0 (Academic-100 Users, Research 10 Users) 15. SOLID EDGE 16. PROE WILDFIRE 17. CATIA 18. EDGE CAM 19. FLUENT SOFTWARE 20. TALLY ERP 9 21. Mcafee ANTIVIRUS 600 USERS ITSS 22. MICROSOFT IT ACADEMY ITSS 23. OPTISIM ECE 24. NETSLM ECE 25. MATLAB 250 USERS EEE 26. ETSB 10 USER EEE 27. PSCAD 10 USERS 28. LECTRA 40 USERS FT 29. ASSYSTS BULMER
Special purpose facilities available	Digital / e – Library, 3D Printer,

15.05 List of facilities available

Games and Sports Facilities	Available
Extra – Curricular Activities	Available
Soft Skill Development Facilities	Available

16. Enrollment of students in the last 3 years

S.N	Degree	Course	Year started	Type of Affiliation	2019-20		2018-19		2017-18		2016-17	
					Intake	Admitted	Intake	Admitted	Intake	Admitted	Intake	Admitted
1	B.E.	Civil Engineering	1984	Permanent	120	97	120	113	120	120	120	99
2	B.E.	Mechanical Engineering	1984	Permanent	180	149	180	170	180	178	180	166
3	B.E.	Electrical and Electronics Engineering	1984	Permanent	120	110	120	112	120	110	120	98
4	B.E.	Electronics and Communication Engineering	1986	Permanent	180	175	180	182	180	172	180	163
5	B.E.	Computer Science and Engineering	1986	Permanent	120	115	120	122	120	121	120	120
6	B.Tech.	Textile Technology	1995	Permanent	60	47	60	57	60	56	60	64
7	B.Tech.	Information Technology	1998	Permanent	60	59	60	56	60	59	60	53
8	B.E.	Mechatronics Engineering	1999	Permanent	60	55	60	58	60	57	60	63
9	B.Tech.	BioTechnology	2002	Permanent	60	50	60	55	60	57	60	58
10	B.Tech.	Fashion Technology	2002	Permanent	60	42	60	48	60	55	60	59
11	B.E.	Aeronautical Engineering	2006	Permanent	60	55	60	55	60	44	60	52
12	B.E.	Electronics and Instrumentation Engineering	2006	Permanent	60	42	60	55	60	53	60	51
13	B.E.	Automobile Engineering	2011	Provisional	60	49	60	61	60	56	60	55
14	B.E.	Information Science and Engineering	2018	Provisional	60	56	60	60	-	-	-	-
15	M.E.	Industrial Engineering	1997	Permanent	18	5	18	11	18	12	18	14
16	M.E.	CAD/CAM	2002	Permanent	18	2	18	8	18	8	18	10
17	M.E.	Structural Engineering	2003	Permanent	18	18	18	18	18	18	18	18
18	M.E.	Computer Science and Engineering	1999	Provisional	18	7	18	12	18	7	18	11
19	M.E.	Applied Electronics	2002	Provisional	18	2	18	5	18	3	18	7
20	M.E.	Communication Systems	2002	Provisional	18	4	18	6	18	2	18	13
21	M.E.	Power Electronics and Drives	2003	Provisional	18	0	18	7	18	4	18	7
22	M.Tech.	Apparel Technology	2005	Provisional	18	2	18	4	18	3	18	2
23	M.Tech.	BioTechnology	2007	Provisional	18	15	18	17	18	13	18	15
24	M.E.	Embedded System Technologies	2011	Provisional	18	10	18	9	18	6	18	8
25	M.E.	Environmental Engineering	2018	Provisional	18	16	18	16	-	-	-	-
26	M.Tech.	Data Science	2018	Provisional	18	6	18	13	-	-	-	-
27	M.Tech.	Master of Technology Management	2018	Provisional	18	3	18	6	-	-	-	-
28	M.B.A.	Master of Business Administration	2004	Permanent	180	180	180	180	180	180	180	180
29	M.C.A.	Master of Computer Applications	1993	Provisional	60	23	60	24	60	24	60	44

17. List of Research Projects/ Consultancy Works

18. LoA and subsequent EoA till the current Academic Year : <http://www.kct.ac.in/aicte-approvals/>

19. Accounted audited statement for the last three years: <https://www.kct.ac.in/financial-statements/>

20. Best Practices adopted, if any

- ProtoSem – Prototype semester [Micro-Innovators] is a first-of-its-kind program launched by FORGE in partnership with KCT and embeds an innovation centered approach to engineering education right into the core of the engineering curriculum.
- Effective Implementation of FCLF (Flexible and Comprehensive Learning Framework) for students to gain wider exposure to various disciplines outside their domain. In the academic year 2017-18, 80 courses were offered to students in the odd semester of which 57 courses were handled by internal faculty and 23 by external faculty. Among them 52 courses were opted by students. In even semester 57 courses were offered to students and they opted 42 courses.

* * * * *
* * *
*

ERROR: syntaxerror
OFFENDING COMMAND: --nostringval--

STACK:

/Title
()
/Subject
(D:20200319131725+05'30')
/ModDate
()
/Keywords
(PDFCreator Version 0.9.5)
/Creator
(D:20200319131725+05'30')
/CreationDate
(KCT Office)
/Author
-mark-